

GRP

Impeller with grinder system

All product images are indicative only



General characteristics

Impeller with grinder system	
motor power	7,2 kW
poles	2
discharge	GAS 2" DN32 horizontal
free passage	-
max flow rate	6.7 l/s
max head	53.9 m

Electromechanical assembly

Electromechanical assembly in GJL-250 cast iron, for submerged operation. Seal set comprising 2 (two) silicon carbide mechanical seals installed in series in inspectable oil sump and 1 (one) opposed graphite-alumina lip seal lubricated by the motor oil. Oil bath motor.

Applications

Designed for professional and industrial use, it is suitable for the treatment of liquids containing suspended solids or fibres, and low or medium density activated sludges.

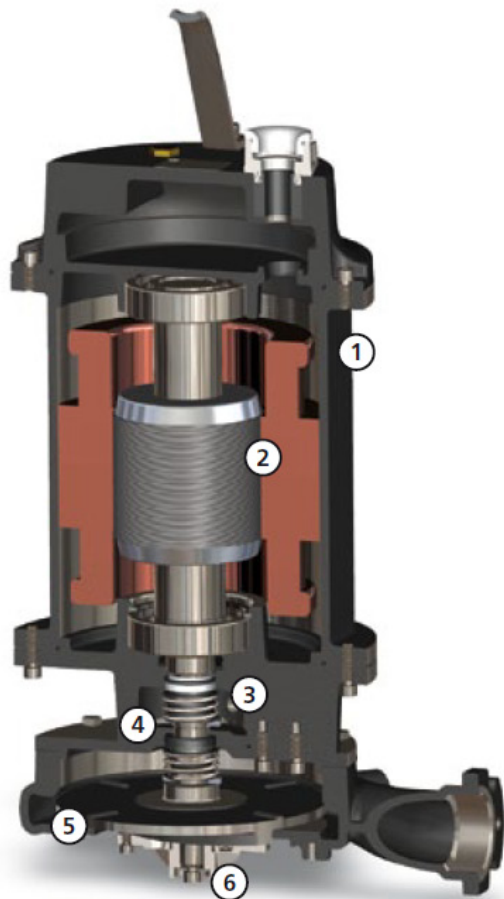
Construction materials

Case	Cast iron - EN-GJL 250
Impeller	Cast iron EN-GJL-250
Nuts and bolts	Stainless steel - Class A2-70
Standard gasket	Rubber - NBR
Cutter material	Chromium steel - X102 CrMo17 KU
Cutting disk material	Chromium steel - X102 CrMo17 KU
Shaft	Stainless steel - AISI 420
Paint type	Ecological bicomponent epoxy (medium thickness 150 µm)
Set of standard mechanical seals	Two silicon carbide mechanical seals (2SiC) and one carbon-aluminium oxide mechanical seal (AL)

Operating limits

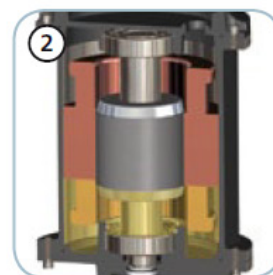
Maximum operating temperature	40 °C
PH of treated fluid	6 ÷ 14
Viscosity of treated fluid	1 mm ² /s
Maximum immersion depth	20 m
Density of treated fluid	1 Kg/dm ³
Maximum acoustic pressure	70 dB
max starts per hour	20

GRP



Structure

Constructed in GJL-250 cast iron.



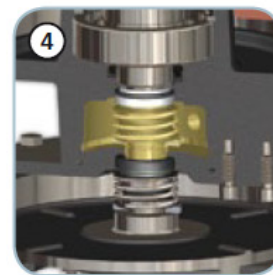
Motor

Oil-bath motor with thermal protections.



Mechanical seals

Two mechanical seals in silicon carbide (2SiC) and one mechanical seal in alumina graphite (AL) for maximum reliability even in heavy-duty applications.



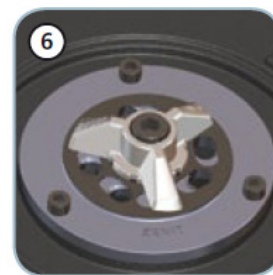
Oil sump

Large oil sump to guarantee longer mechanical seal lifetime.



Anti-clogging system

The special design of the hydraulic part ensures the expulsion of suspended solids and prevents fouling of the impeller.



Grinder system

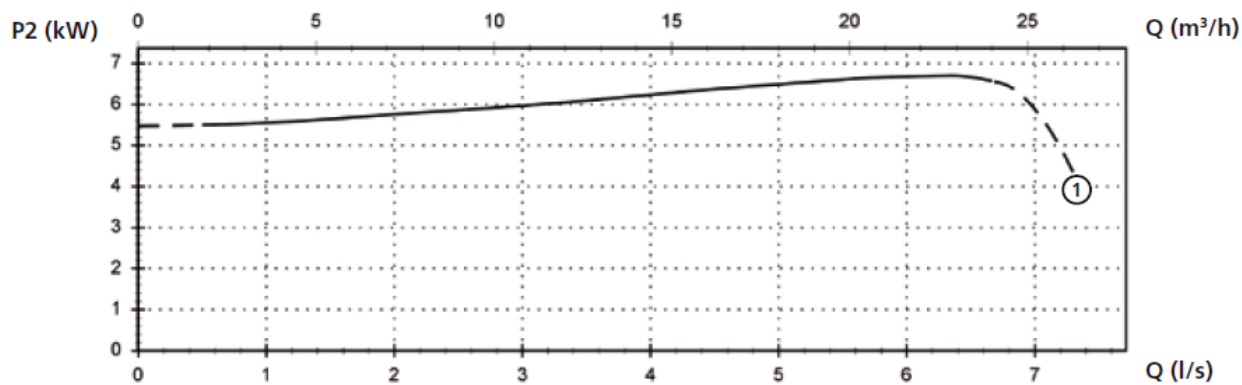
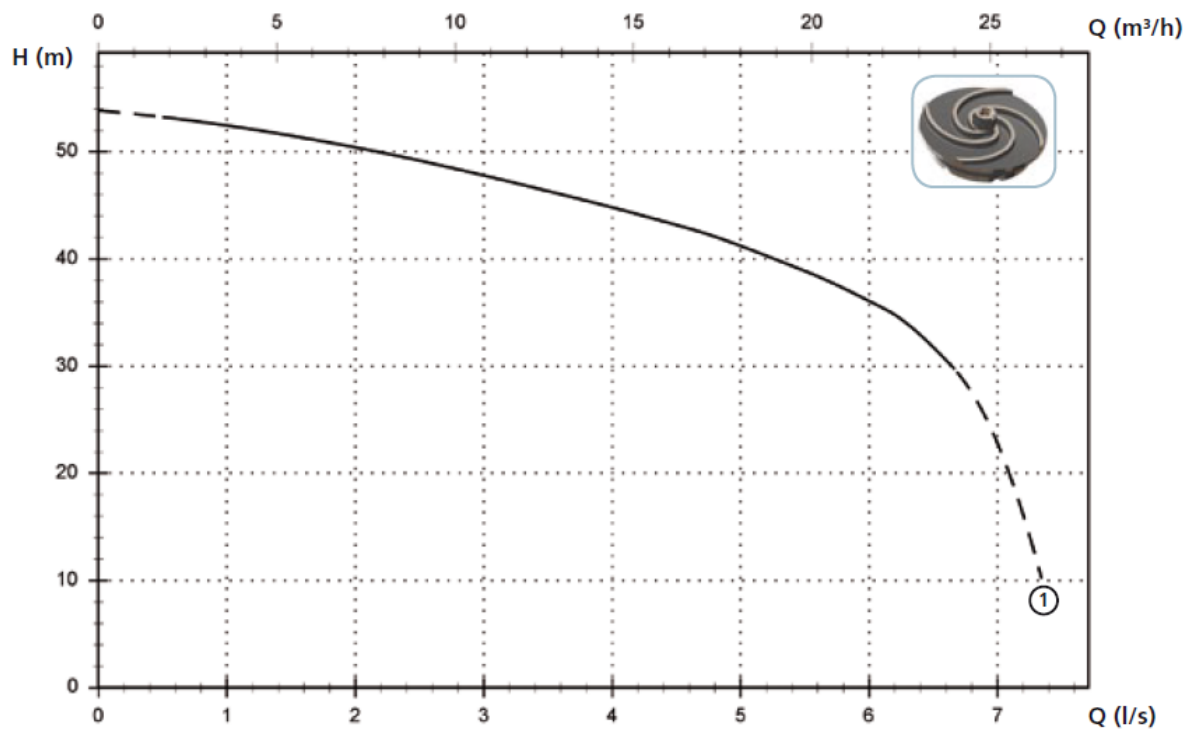
Grinder system comprising a revolving cutter and a plate with holes with sharpened edges that fine-chops filaments, preventing fouling of the impeller.

Up to 69.000 cuts per minute

GRP

Models with horizontal GAS 2" threaded - DN32 PN6 flanged discharge - 2 poles

Performances



Technical data

	V	Phases	P1 (kW)	P2 (kW)	A	Rpm	Start	Ø	Cable (*)	Free passage	
①	GRP 750/2/G50H A0HT/50	400	3	8.8	7.2	14.5	2900	Y Δ	G2"-DN32 PN6	A	-

(*) A = 07RN-F 7G1.5+3x0.75 - 10 m

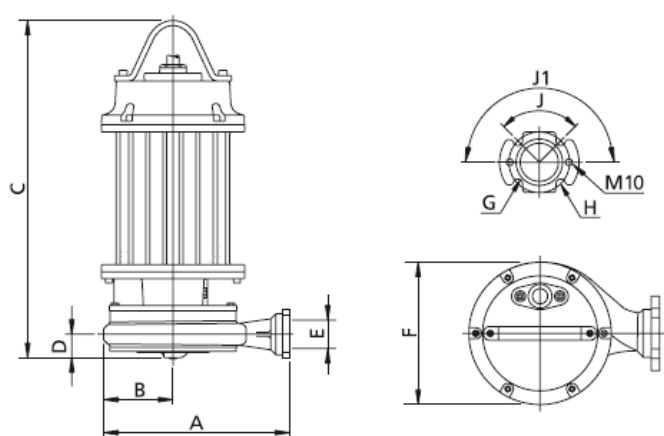
Electrical and mechanical features are equal to the cable H07RN-F

Versions available

(Key to versions on page 16)

	Electrical variants										Cooling				Mechanical seals					
	N A E	T	T C	T C D	T C D T	T C D G T	T C G	T C S T	T C S G T	T S	T R	T R G	N	CC CCE	FT	C G F T	2SIC	SICM	SICAL	2SICAL
GRP 750/2/G50H A0HT/50	●									●		●								●

Overall dimensions and weights



	A	B	C	D	E	F	G	H	J	J1	kg
GRP 750/2/G50H A0HT/50	350	130	670	80	G 2"	270	14	90	90°	180°	91

Dimensions in mm

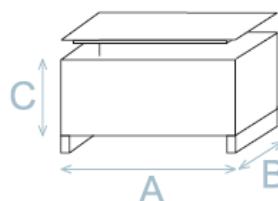
All weights and dimensions are indicative only

Packaging dimension

	A	B	C
GRP 750/2/G50H A0HT/50	725	445	415

Dimension in mm

All weights and dimensions are indicative only



Installations available

