

DG BluePRO

Set-back vortex impeller

DESIGN BY

pininfarina

All product images are indicative only



General characteristics

set-back vortex impeller	
motor power	0,37 ÷ 1,5 kW
poles	2
discharge	GAS 1½" - 2" vertical
free passage	max 50 mm
max flow rate	12.6 l/s
max head	15.3 m

Electromechanical assembly

Electromechanical assembly in EN-GJL-250 cast iron, for submerged operation, fitted with 2 (two) opposing silicon carbide mechanical seals in oil sump, and V-ring in direct contact with the liquid. Ecological dry motor. Pump body in single casting with motor casing.

Applications

Suitable for heavy-duty applications with soiled biological wastewaters, sewage, rainwater and seepage. This electric pump is intended for both domestic and professional use.

Construction materials

Case	Cast iron EN-GJL 250
Impeller	Cast iron EN-GJL-250
Nuts and bolts	Stainless steel - Class A2-70
Standard gasket	Rubber - NBR
Shaft	Stainless steel - AISI 420
Paint type	Ecological bicomponent epoxy (medium thickness 80 µm)
Set of standard mechanical seals	Two silicon carbide mechanical seals (2SiC), V-ring

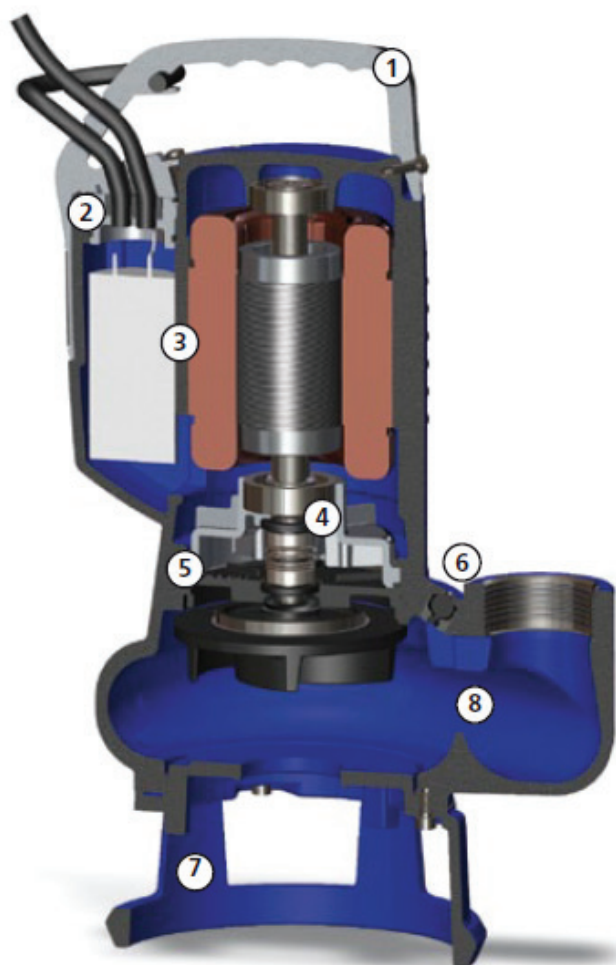
Operating limits

Maximum operating temperature	40 °C
PH of treated fluid	6 ÷ 14
Viscosity of treated fluid	1 mm ² /s
Maximum immersion depth	20 m
Density of treated fluid	1 Kg/dm ³
Maximum acoustic pressure	70 dB
max starts per hour	30

Models available in IECEx certified version

Ex nA IIC T3
Ex nA nC IIC T3

DG BluePRO



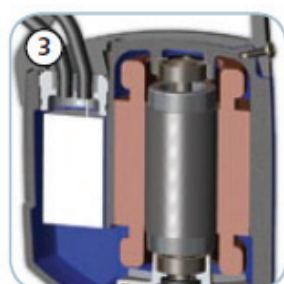
Lifting handle

Ergonomic aluminium alloy lifting and carrying handle, coated for excellent mechanical strength and corrosion resistance. Clip floatswitch adjustment.



Cable gland System

Innovative cable gland system with twin O-rings to ensure maximum tightness.



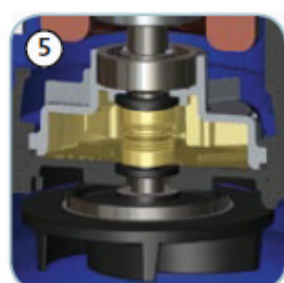
Motor and electrical accessories

Dry motor with thermal protections. Single-phase models with internal capacitor. Three-phase models with motor protection relay (option).



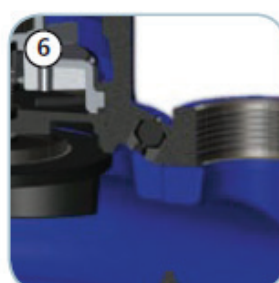
Mechanical seals

Two silicon carbide mechanical seals (2SiC), and V-ring in direct contact with the liquid.



Oil sump

Oil sump which guarantees longer mechanical seal lifetime, and is easily accessible thanks to a patented system to simplify maintenance procedures.



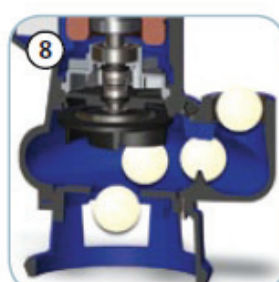
Breather

Breather which allows the air to be vented and ensure reliable pump priming even after long periods out of use.



Support foot

Reinforced technopolymer support foot with stainless steel plate (models 50, 75 and 100) or cast iron support foot (models 150 and 200).



Free passage

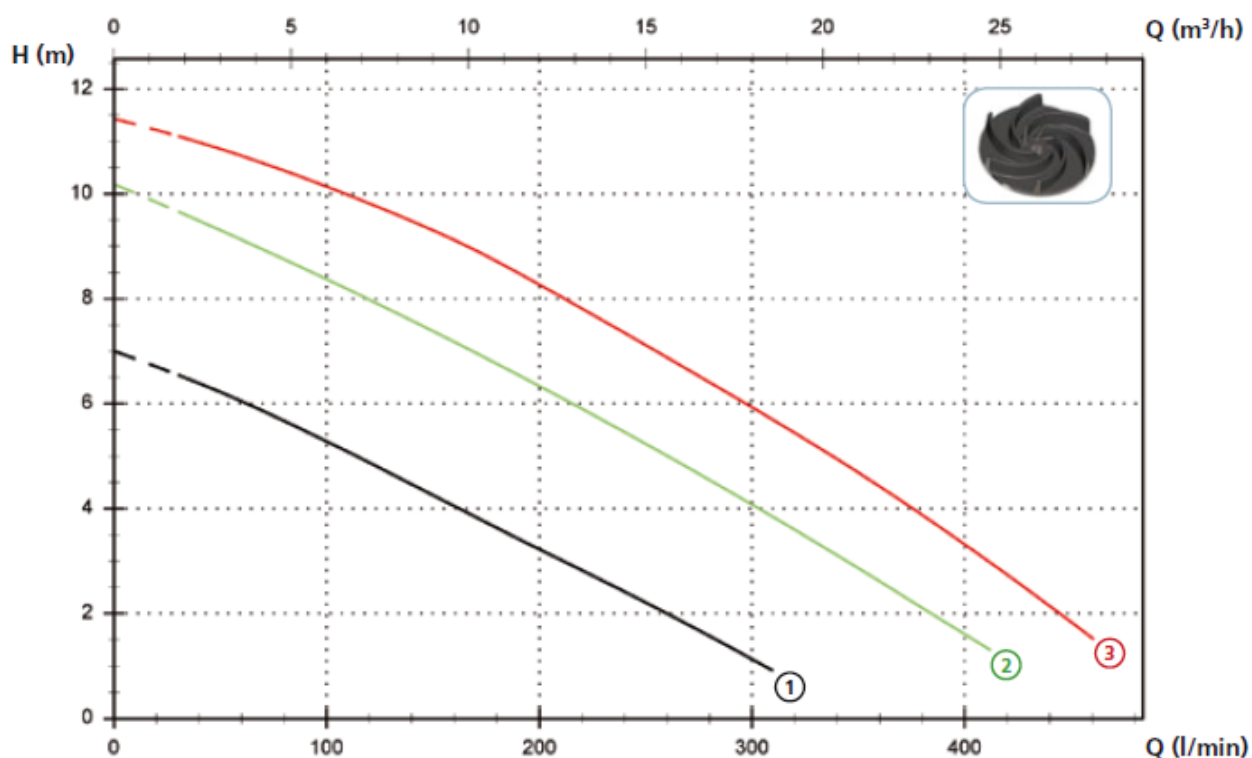
Full free passage allowing the expulsion of solids and preventing fouling of the impeller.

DG BluePRO

Models with vertical GAS 1½" threaded discharge - 2 poles

Performances

	l/s	0	1	2	3	4	5	6	7
	l/min	0	60	120	180	240	300	360	420
	m³/h	0	3.6	7.2	10.8	14.4	18.0	21.6	25.2
① DG BluePRO 50/2/G40V A1BM(T)/50		7.0	6.0	4.9	3.6	2.4	1.1		
② DG BluePRO 75/2/G40V A1BM(T)/50		10.2	9.1	8.0	6.8	5.5	4.1	2.6	
③ DG BluePRO 100/2/G40V A1BM(T)/50		11.4	10.7	9.8	8.7	7.4	5.9	4.4	2.7



Technical data

	V	Phases	P1 (kW)	P2 (kW)	A	Rpm	Start	Ø	Cable (*)	Free passage
① DG BluePRO 50/2/G40V A1BM/50	230	1	-	0.37	2.8	2900	Dir	G 1½"	A	40 mm
② DG BluePRO 75/2/G40V A1BM/50	230	1	-	0.55	4.1	2900	Dir	G 1½"	A	40 mm
③ DG BluePRO 100/2/G40V A1BM/50	230	1	-	0.74	5.6	2900	Dir	G 1½"	A	40 mm

	V	Phases	P1 (kW)	P2 (kW)	A	Rpm	Start	Ø	Cable (*)	Free passage
① DG BluePRO 50/2/G40V A1BT/50	400	3	-	0.37	1.15	2900	Dir	G 1½"	B	40 mm
② DG BluePRO 75/2/G40V A1BT/50	400	3	-	0.55	1.6	2900	Dir	G 1½"	B	40 mm
③ DG BluePRO 100/2/G40V A1BT/50	400	3	-	0.74	2.15	2900	Dir	G 1½"	B	40 mm

(*) A = H07RN-F 3G1 - 5 m cable length with schuko plug. Optional 10 m cable length with schuko plug.
 B = H07RN-F 4G1 - 10 m cable length

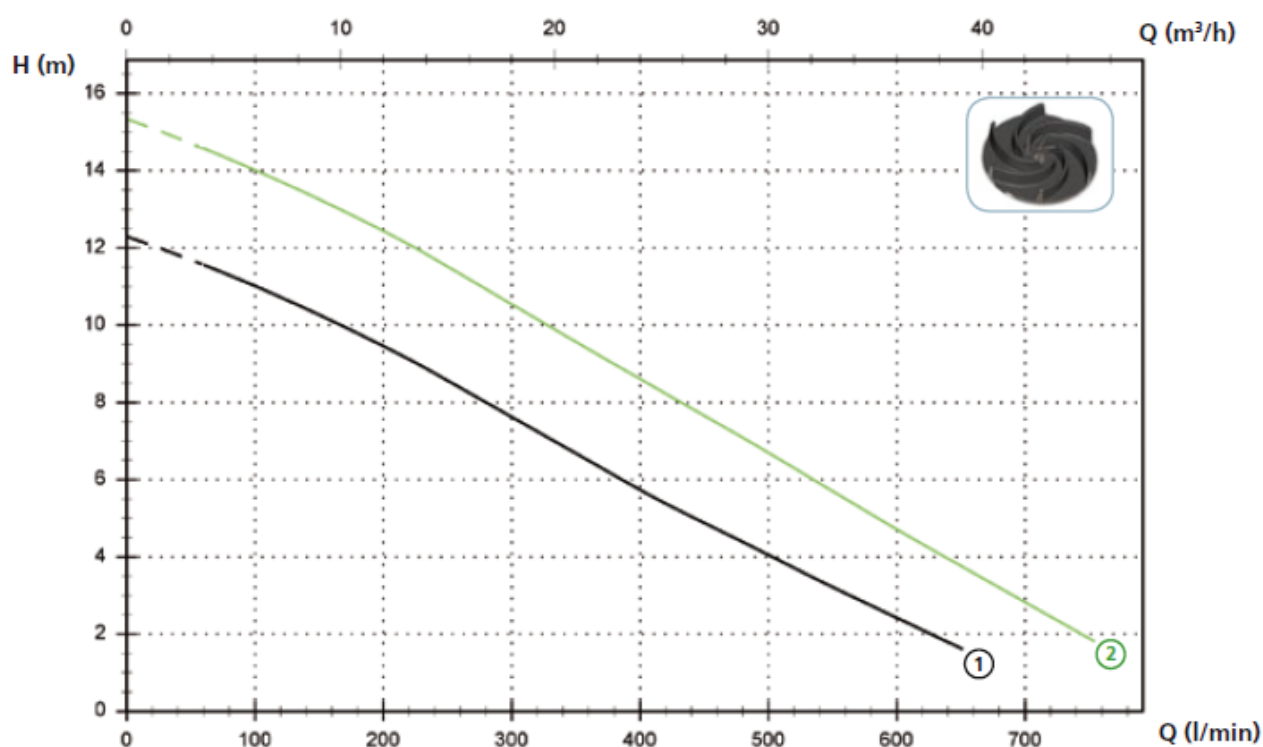
Attention: Standard EN 60335-2-41 requires the use of a 10 m cable length in outdoor applications

DG BluePRO

Models with vertical GAS 2" threaded discharge - 2 poles

Performances

	l/s	0	2	4	6	8	10	12
	l/min	0	120	240	360	480	600	720
	m ³ /h	0	7.2	14.4	21.6	28.8	36.0	43.2
① DG BluePRO 150/2/G50V A1CM(T)/50		12.3	10.7	8.8	6.5	4.4	2.4	
② DG BluePRO 200/2/G50V A1CM(T)/50		15.3	13.7	11.7	9.4	7.1	4.7	2.5



Technical data

	V	Phases	P1 (kW)	P2 (kW)	A	Rpm	Start	Ø	Cable (*)	Free passage
① DG BluePRO 150/2/G50V A1CM/50	230	1	-	1.1	7.5	2900	Dir	G 2"	A	50 mm
② DG BluePRO 200/2/G50V A1CM/50	230	1	-	1.5	10	2900	Dir	G 2"	A	50 mm

	V	Phases	P1 (kW)	P2 (kW)	A	Rpm	Start	Ø	Cable (*)	Free passage
① DG BluePRO 150/2/G50V A1CT/50	400	3	-	1.1	3.2	2900	Dir	G 2"	B	50 mm
② DG BluePRO 200/2/G50V A1CT/50	400	3	-	1.5	4.3	2900	Dir	G 2"	B	50 mm

(*) A = H07RN-F 3G1 - 5 m cable length with schuko plug. Optional 10 m cable length with schuko plug.
 B = H07RN-F 4G1 - 10 m cable length

Attention: Standard EN 60335-2-41 requires the use of a 10 m length cable in outdoor applications

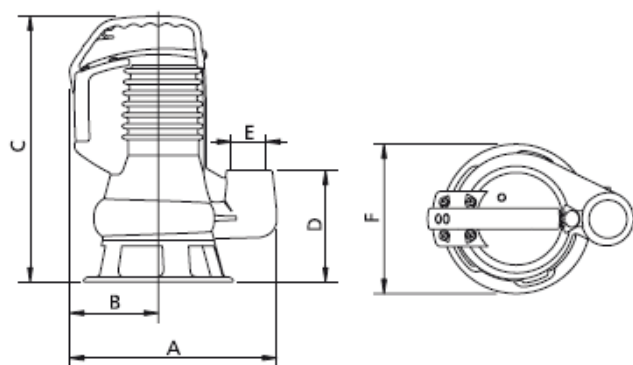
DG BluePRO

Versions available

(Key to versions on page 16)

	Electrical variants											Cooling				Mechanical seals				
	N A E	T	T C	T C D	T C D T	T C D G	T C G	T C S T	T C S G T	T S	T R	T R G	N	CC CCE	FT	C G F T	2SIC	SICM	SICAL	2SICAL
DG BluePRO 50/2/G40V A1BM/50			●				●						●				●			
DG BluePRO 75/2/G40V A1BM/50			●				●						●				●			
DG BluePRO 100/2/G40V A1BM/50			●				●						●				●			
DG BluePRO 150/2/G50V A1CM/50			●				●						●				●			
DG BluePRO 200/2/G50V A1CM/50			●				●						●				●			
DG BluePRO 50/2/G40V A1BT/50	●											●	●				●			
DG BluePRO 75/2/G40V A1BT/50	●											●	●				●			
DG BluePRO 100/2/G40V A1BT/50	●											●	●				●			
DG BluePRO 150/2/G50V A1CT/50	●											●	●				●			
DG BluePRO 200/2/G50V A1CT/50	●											●	●				●			

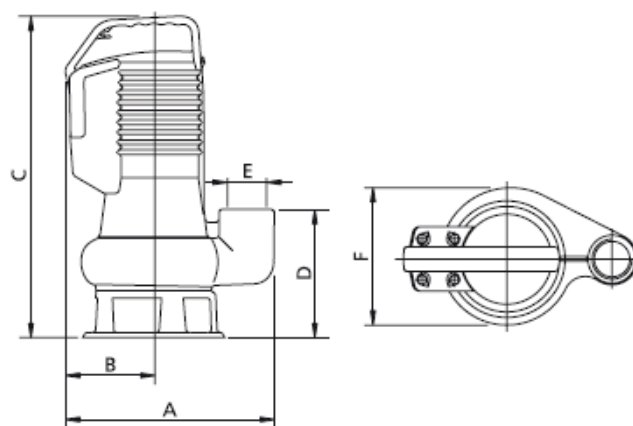
Overall dimensions and weights



	A	B	C	D	E	F	kg
DG BluePRO 50/2/G40V A1BM(T)/50	265	115	335	140	G 1½"	190	13
DG BluePRO 75/2/G40V A1BM(T)/50	265	115	365	140	G 1½"	190	15
DG BluePRO 100/2/G40V A1BM(T)/50	265	115	365	140	G 1½"	190	15.5

Dimensions in mm

All weights and dimensions are indicative only



	A	B	C	D	E	F	kg
DG BluePRO 150/2/G50V A1CM(T)/50	295	125	465	195	G 2"	200	23
DG BluePRO 200/2/G50V A1CM(T)/50	295	125	465	195	G 2"	200	24

Dimensions in mm

All weights and dimensions are indicative only

DG BluePRO

Packaging dimension

	A	B	C
DG BluePRO 50/2/G40V A1BM(T)/50	240	200	400
DG BluePRO 75/2/G40V A1BM(T)/50	240	200	400
DG BluePRO 100/2/G40V A1BM(T)/50	240	200	400
DG BluePRO 150/2/G50V A1CM(T)/50	300	250	480
DG BluePRO 200/2/G50V A1CM(T)/50	300	250	480



Dimensions in mm

All weights and dimensions are indicative only

No. pieces per pallet

For DG BluePRO 50-75-100 models each pallet (EUR 1000x1200 mm) is able to take 75 pieces.

For DG BluePRO 150-200 models each pallet (EUR 1000x1200 mm) is able to take 32 pieces.

Installations available

