



JS PUMP

JS PUMP



TRANSLATION FOR THE AL PUMP

“MODEL-AL”

SMALL PORTABLE & LIGHTWEIGHT WITH HIGH VOLUME AND LOW HEAD WITH LOW ENERGY CONSUMPTION.

MATERIAL SPECIFICATION

STAINLESS STEEL OUTER CASE
CAST IRON INNER BODY
TWIN MECHANICAL SEALS 1 × SIC 1 × CARBON
HEAVY DUTY CONSTRUCTION
THERMALLY PROTECTED MOTOR

MERITS

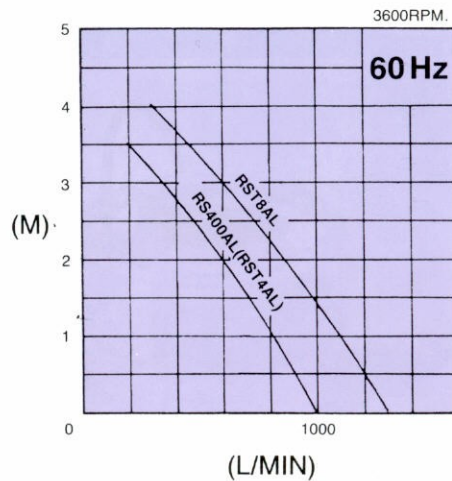
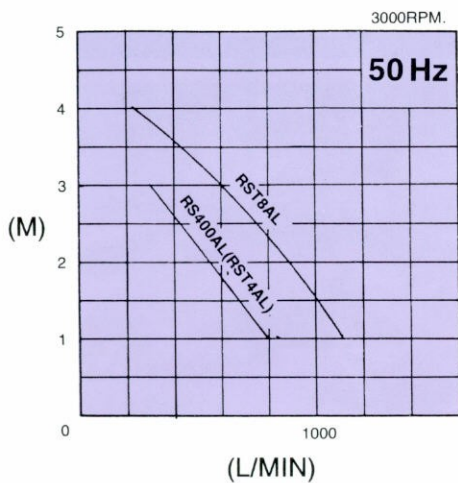
VERY LOW POWER MOTOR
AXIAL FLOW OF WATER OVER THE MOTOR FOR COOLING
QUIET OPERATION, MINIMAL MAINTAINCE.

APPLICATIONS

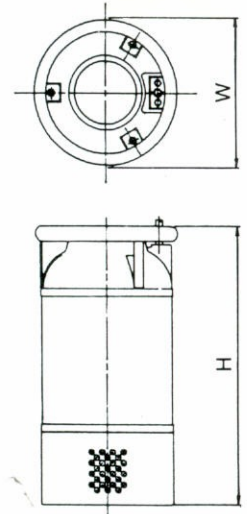
AGRICULTURE: FARM IRRIGATION
AQUACULTURE: WATER CIRCULATION FOR FISH FARMS AND HATCHERYS
GENERAL FLOOD PROTECTION
RIVER DIVERSIONS
AQUATIC FEATURES

MANUFACTURED WITH QUALITY AND CARE BY JS PUMPS

Performance Curves



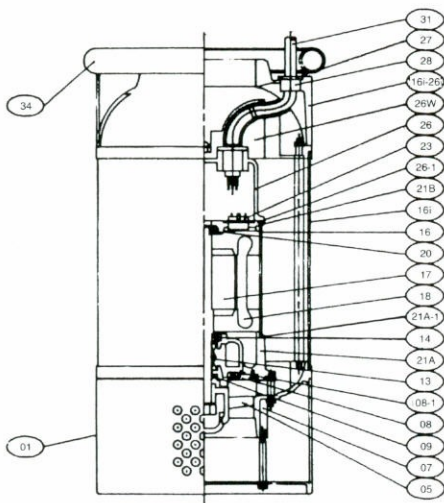
Dimensions



Specifications

Pump type	Output H.P.	Discharge [inch]/[mm]	Voltage 50Hz or 60Hz	Continuous		Weight kg	Dimension [mm]	
				Head m	Capacity L/min		H	W
RS400-AL	0.5	4"/100	1 phase/110-220V	1.5	700	18	475	250
RST4-AL	0.5			1.5	700			
RST8-AL	1		220-460V	1.5	1000			

Construction



NO.	DESCRIPTION	MATERIAL	NO.	DESCRIPTION	MATERIAL
01	STRAINER	SUS 304	20	BEARING (UPPER)	
05	IMPELLER	FC/SUS	21A	MOTOR BOTTOM COVER	FC 200
07	PUMP HOUSING	SUS 304	21A-1	GASKET	NBR
08	OIL CHAMBER	FC 200	21B	MOTOR UPPER COVER	FC 200
08-1	GASKET	NBR	23	OVERLOAD PROTECTOR	
09	LIP SEAL	NBR	26	UPPER COVER	FC 200
13	MECHANICAL	SIC/CAR	26-1	GASKET	NBR
14	BEARING (LOWER)		26W	UPPER COVER	FC 200
16	MOTOR CASE	SUS 304	27	CABLE GLAND	SUS 304
16i	OUTER PUMP CASE	SUS 304	28	PLASTIC SLEEVE	NBR
16i-26	UPPER COVER	SUS 304	31	CABLE	PVC
17	ROTOR	SUS 304	34	HANDLE	SUS 304
18	STATOR	SUS 304			