



JS PUMP

JS PUMP

GST12(GS1200)/GST15(GS1500)/GST22/GST37 (1.2 ~ 3.7KW)

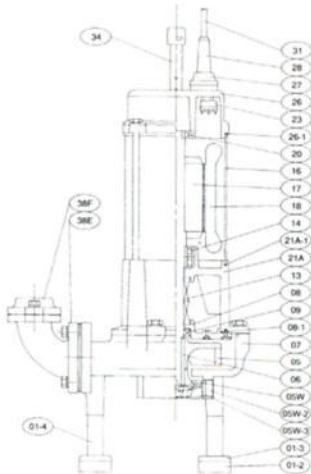


□ Application

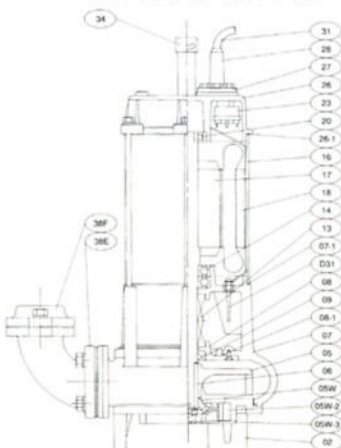
- AVAILABLE FREE STANDING OR GUIDE RAIL MOUNTED FOR FIXED INSTALLATION.
- DOMESTIC AND INDUSTRIAL APPLICATIONS WHERE EITHER HIGH HEADS OR LONG DISTANCES PROHIBIT THE USE OF STANDARD SUBMERSIBLE PUMPS OR LARGE BORE DISCHARGE PIPE IS NOT AVAILABLE OR ECONOMIC TO INSTALL.
- FOR PROCESS WORKS TO COPE WITH WASTE WATER WITH ORGANIC SOLIDS.
- FOR EFFICIENT DISPOSAL OF SEWAGE AND FARM WASTE TO EITHER MAINS SEWERS OR TO ON SITE TREATMENT WORKS FOR PROCESSING.
- PACKAGE SEWAGE STATIONS AND PORTABLE SEWAGE PUMPING.
- MOST NUISANCE WATER DRAINAGE IF ORGANIC SOLIDS ARE PRESENT.
- GST12(GS1200), GST15(GS1500) WITHOUT SENSOR

□ Construction

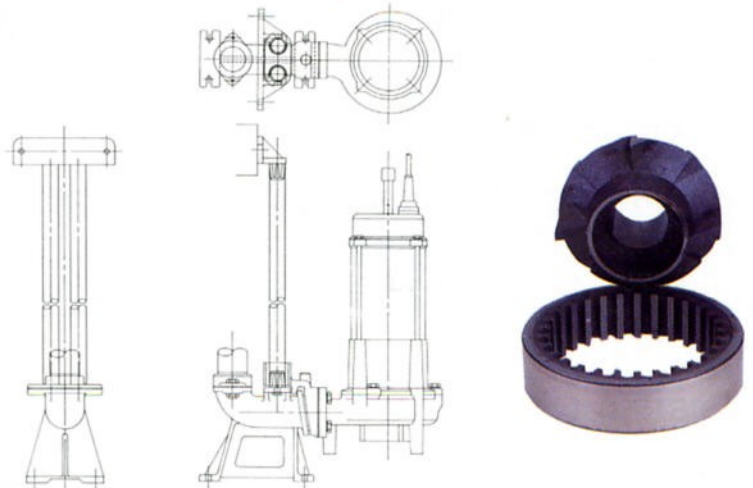
GST12/GST15 GS1200/GS1500



GST22/GST37



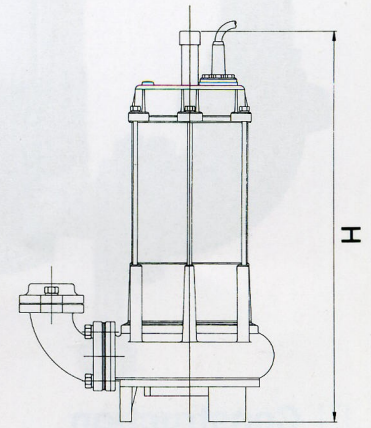
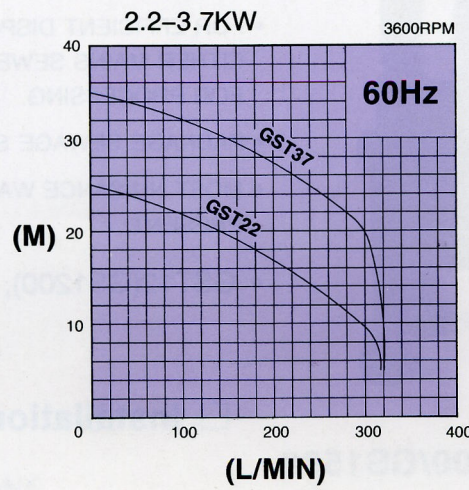
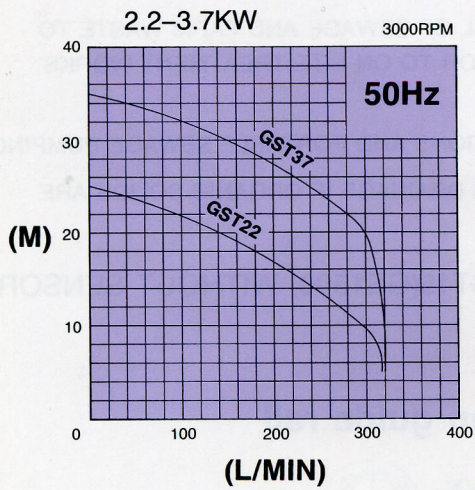
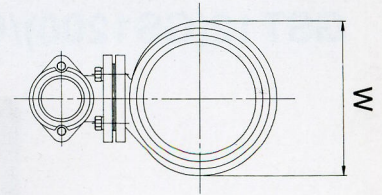
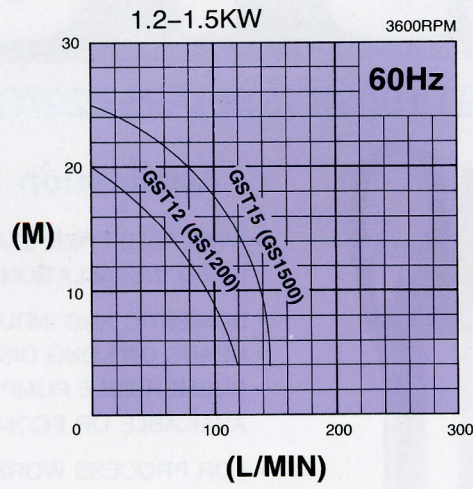
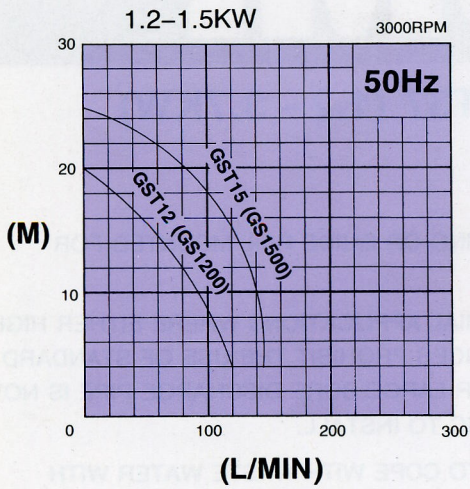
□ Installation on guide rail



NO.	DESCRIPTION	MATERIAL	NO.	DESCRIPTION	MATERIAL
01-2	CUSHION	NBR	17	ROTOR	SUS 304
01-3	COVER	SUS 304	18	STATOR	H23
01-4	CANNULA	SUS 304	20	BEARING (UPPER)	
05	IMPELLER	FC 200	21A	MOTOR BOTTOM COVER	FC 200
05W	SHREDDING	HICRFC	21A-1	GASKET	NBR
05W-2	GRINDING	HICRFC	23	OVERLOAD PROTECTOR	
05W-3	COVER	FC 200	26	UPPER COVER	FC 200
06	KEY	SUS 304	26-1	GASKET	NBR
07	PUMP HOUSING	FC 200	27	CABLE GLAND	PC/SUS
08	OIL CHAMBER	FC 200	28	RUBBER SLEEVE	NBR
08-1	GASKET	NBR	31	CABLE	PVC
09	LIP SEAL	NBR	34	HANDLE	SUS 304
13	MECHANICAL	SIC/CAR	38E	OUTLET	FC 200
14	BEARING (LOWER)		38F	OUTLET	FC 200
16	MOTOR CASE	SUS 304	D31	SENSOR	CU

Performance Curves

Dimensions



Specifications

Pump type	Output H.P.	Discharge [inch]/[mm]	Voltage 50Hz or 60Hz	Continuous		Weight kg	Dimension(mm)	
				Head m	Capacity L/min		H	W
GS1200	1.6	1 1/4" [32]	110-220V	15	60	31	460	180
GS1500	2			21	60		470	
GST12	1.6			15	60		450	
GST15	2			21	60		460	
GST22	3	2" [50]	220-460V	20	120	49	520	240
GST37	5			30	120		530	