



HYDRAFLOW

S6TC

150mm Hydraulic Submersible Sewage Pump

The Sterling SPP HYDRAFLOW S6TC Hydraulic Drive Submersible Pump is a highly efficient solids handling pump designed to pass through a 550mm diameter manhole. Can be supplied with a choice of two hydraulic motors to match power unit and duty requirements. May be used on jobs such as waste lagoons, barge transfer, sewer by-pass systems and treatment plant duties.

DESIGN FEATURES:

- High efficiency two vane closed channel impeller will pass 75mm semi solids
- Oil Lubricated Seals - pump can run dry
- Variable speed with dependable gear type hydraulic motor
- Will pass through a 550mm dia opening
- Adjustable Wear Plate
- Can be bolted directly into a pipeline
- Safe Hydraulic Drive can be used where electric power is hazardous
- Operates with our HT35D or HSQ35D Hydraulic Power Units or any open centre power source with output flows to 76 l/m

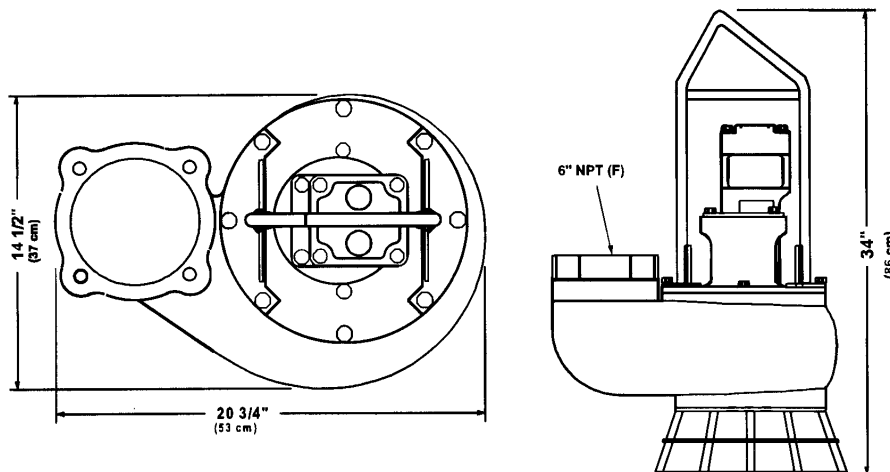


PUMP SPECIFICATIONS

Flow Rate	390 m ³ /h Maximum
Discharge Head	27 m Maximum
Weight	116 kg
Height	860 mm
Max. Diameter	530 mm
Max Solids Size	75 mm Diameter
Hose Port	1in SAE
Suction Flange	6in ANSI
Discharge Port	6in NPT F
Power Source	HT35D or HSQ35D

Pump Casing	Ductile Iron
Impeller	Ductile Iron
Wear Ring &/or Plate	Ductile Iron
Shaft	17-4 PH Stainless Steel
Shaft Seal - Standard	Carbon / Ceramic
Alternative Seal	Silicon Carbide
Elastomers - Standard	Buna (N)
Hydraulic Oil	214-320 s.s.u. @ 64 Deg. C
Input Flow	76 l/m Maximum
Operating Pressure	172 bar Maximum

Specifications may be subject to change without notice.





HYDRAFLOW

Curve:
S6TC-v2

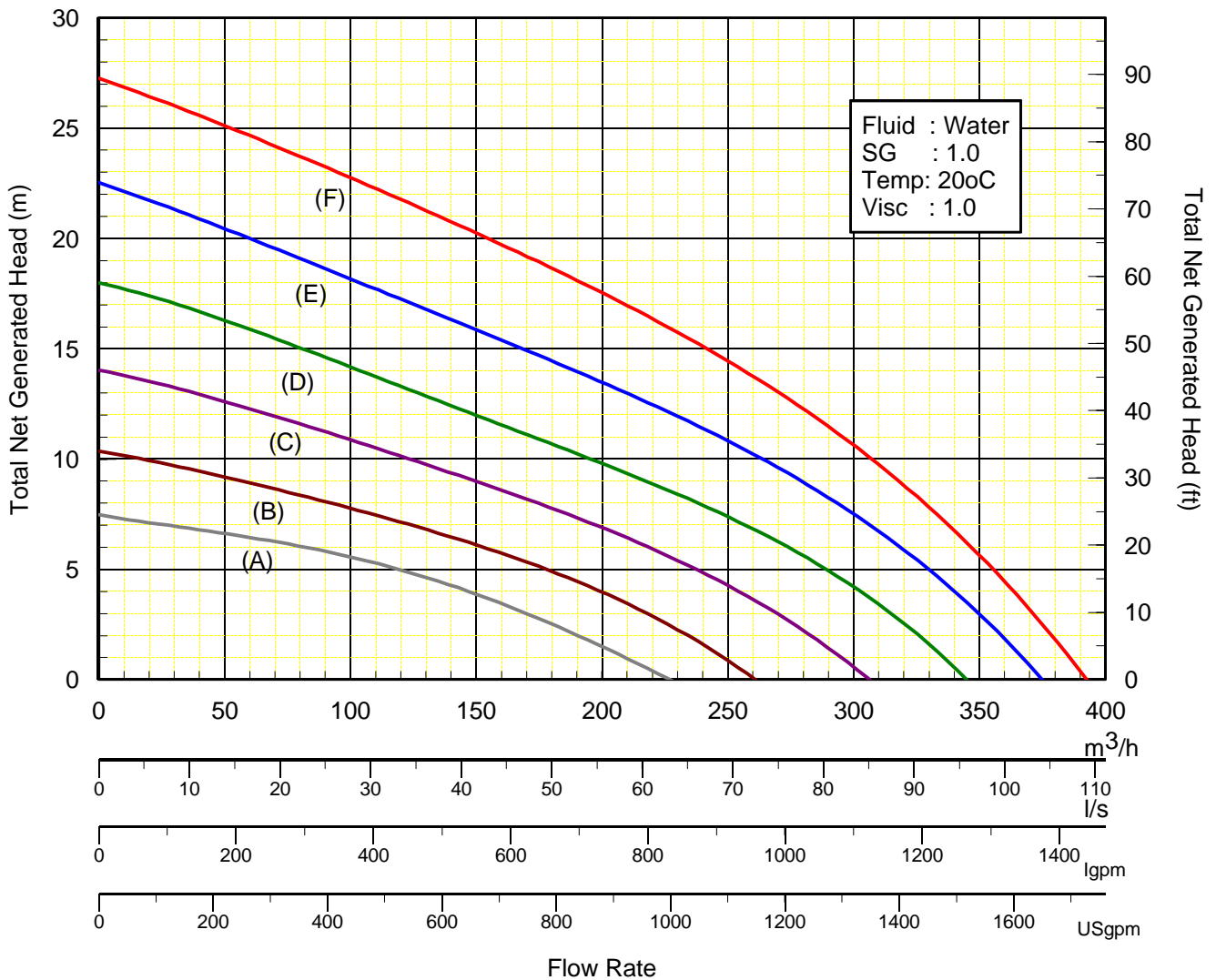
Hydraulic Submersible Pump

Pump Type

Branch Sizes
Impeller
Solid Handling
Hydraulic Motor
Input - Hydraulic Flow
Input - Hydraulic Pressure
Hydraulic Oil
Hydraulic Oil Temperature

S6TC

Suction: 150mm x Disch: 150mm
Channel
75 mm diameter
Gear
76 l/m
172 bar
ISO 46
Max 140°F



Hydraulic Input: (A) 38 l/m m³/h @ 69 bar (B) 45 l/m @ 79 bar
 (C) 53 l/m @ 110 bar (D) 60 l/m @ 131 bar
 (E) 68 l/m @ 165 bar (F) * 76 l/m @ 172 bar
 * Typical Performance with HT35D or HSQ35

All specifications are subject to change without prior notice