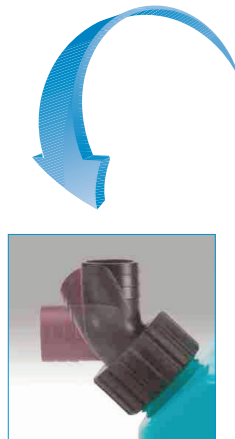


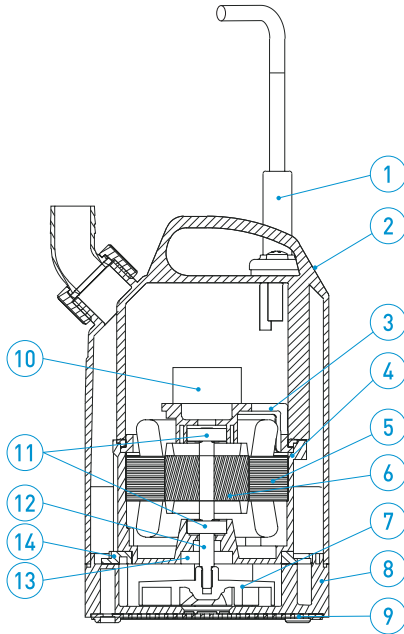
pond LIFE



- Light weight (3kg) / tough design using Thermoplastic motor housing
- Pump can be used standing vertically or horizontally
- 125W, 1" discharge with 45° hose adaptor (3/4" & 1/2")
- Low suction removes residue water down to 3mm
- 100% factory tested, one year warranty
- Thermal-overload protects against dry pump motor burn-out
- Double seal design; one mechanical seal & one lip seal for long life running
- Oil free
- Designed for fish pond 24 hour circulation and pumping water up to 40°C



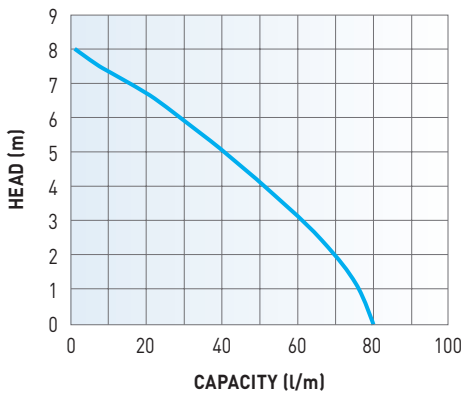
Construction



Parts & Material List

| NO. | PART | MATERIAL |
|-----|-----------------------|-----------------------------------|
| 1 | Cable | SJTW18AWG/H05RN-F |
| 2 | Motor Housing | ABS747 |
| 3 | Upper Bearing Housing | ADC12+E.D. Coating |
| 4 | Lower Bearing Housing | ADC12+E.D. Coating |
| 5 | Stator | Copper |
| 6 | Rotor & Shaft | S45C |
| 7 | Impeller | Nylon66+30%G.F. |
| 8 | Pump Housing | ABS747 |
| 9 | Base Screen | ABS747 |
| 10 | Capacitor | 115V(15 μ f), 230V(6 μ f) |
| 11 | Bearing | NTN(608/608) |
| 12 | Lip seal | NBR |
| 13 | Mech. Seal | EKK Burgmann CA/CE |
| 14 | Middle Bracket | ADC12+E.D. Coating |

Performance Curve



| PERFORMANCE | | | | | | | | |
|--------------------|-----|-----|-----|-----|-----|-----|-----|---|
| HEAD | 0 | 2 | 3 | 4 | 5 | 6 | 7 | 8 |
| L/min | 80 | 70 | 60 | 50 | 40 | 30 | 15 | 0 |
| M ³ /hr | 4.8 | 4.2 | 3.6 | 3.0 | 2.4 | 1.8 | 0.9 | 0 |

Dimensions (mm) Non-Auto Model

