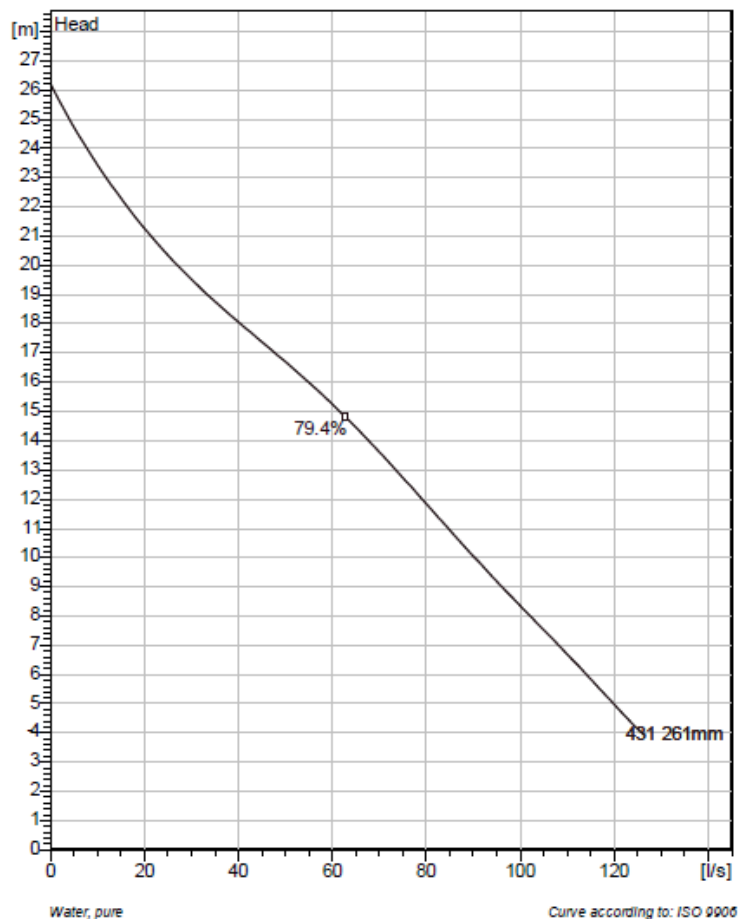




NP 3153 MT 3~ 431 Technical specification



Note: Picture might not correspond to the current configuration.

General

Patented self cleaning semi-open channel impeller, ideal for pumping in most waste water applications. Possible to be upgraded with Guide-pin® for even better clogging resistance. Modular based design with high adaptation grade.

Impeller

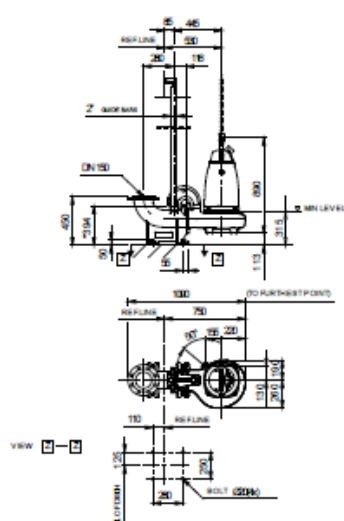
Impeller material	Grey cast iron
Outlet width	150 mm
Inlet diameter	150 mm
Impeller diameter	261 mm
Number of blades	2

Motor

Motor #	N3153.181 21-18-4AA-W 13.5kW
Stator variant	2
Frequency	50 Hz
Rated voltage	400 V
Number of poles	4
Phases	3~
Rated power	13.5 kW
Rated current	27 A
Starting current	145 A
Rated speed	1455 1/min
Power factor	
1/1 Load	0.84
3/4 Load	0.79
1/2 Load	0.68
Efficiency	
1/1 Load	86.5 %
3/4 Load	88.0 %
1/2 Load	88.5 %

Configuration

Installation: P - Semi permanent, Wet



* DIMENSION TO ENDS OF GUIDE BARS

Wght

Dimensioning
NP/TP 3153MT

Project	Project ID	Created by	Created on	Last update
			2014-04-11	



NP 3153 MT 3~ 431



Performance curve

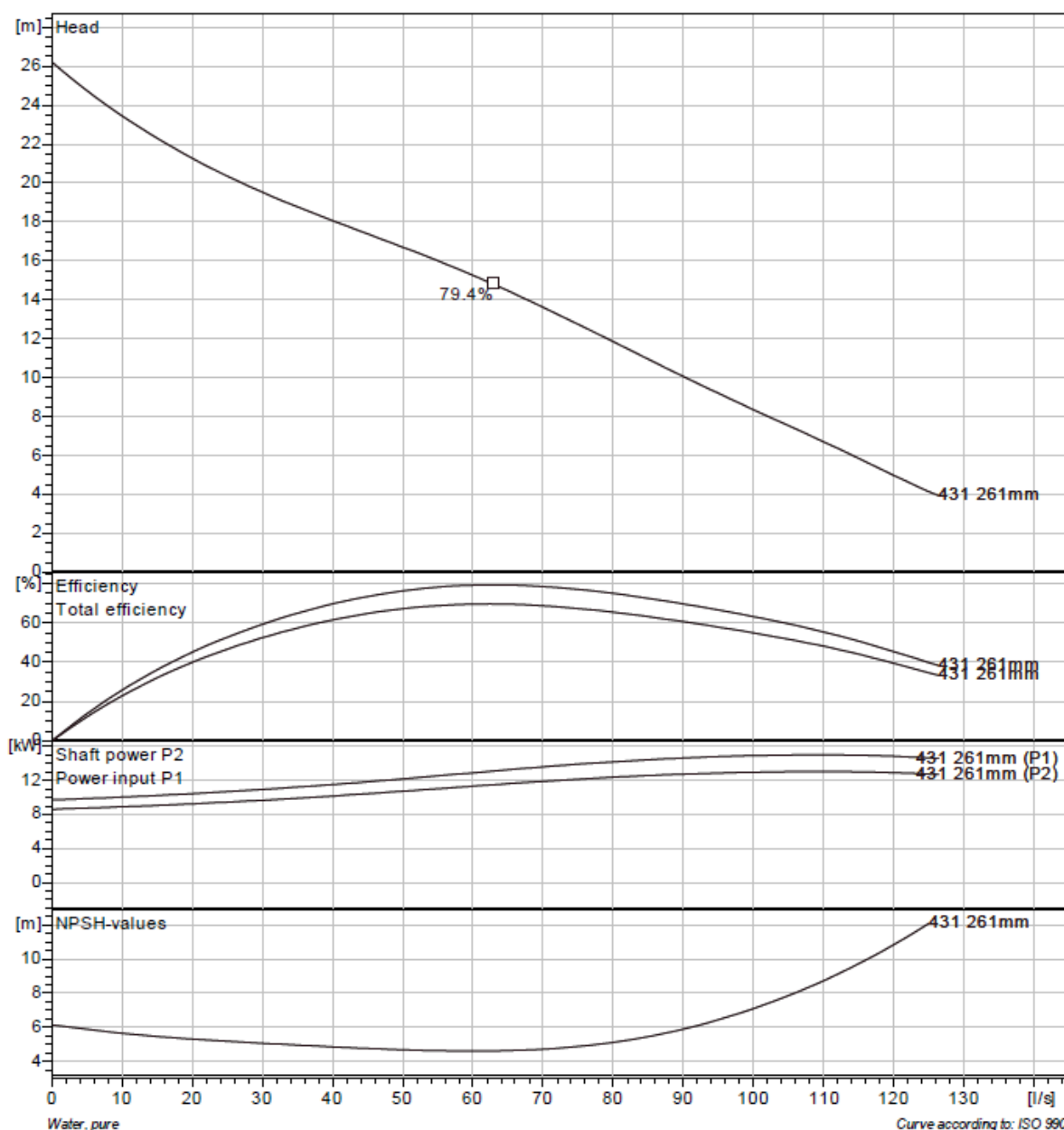
Pump

Outlet width 150 mm
 Inlet diameter 150 mm
 Impeller diameter 261 mm
 Number of blades 2

Motor

Motor # N3153.181 21-18-4AA-W 13.5KW
 Stator variant 2
 Frequency 50 Hz
 Rated voltage 400 V
 Number of poles 4
 Phases 3~
 Rated power 13.5 kW
 Rated current 27 A
 Starting current 145 A
 Rated speed 1455 1/min

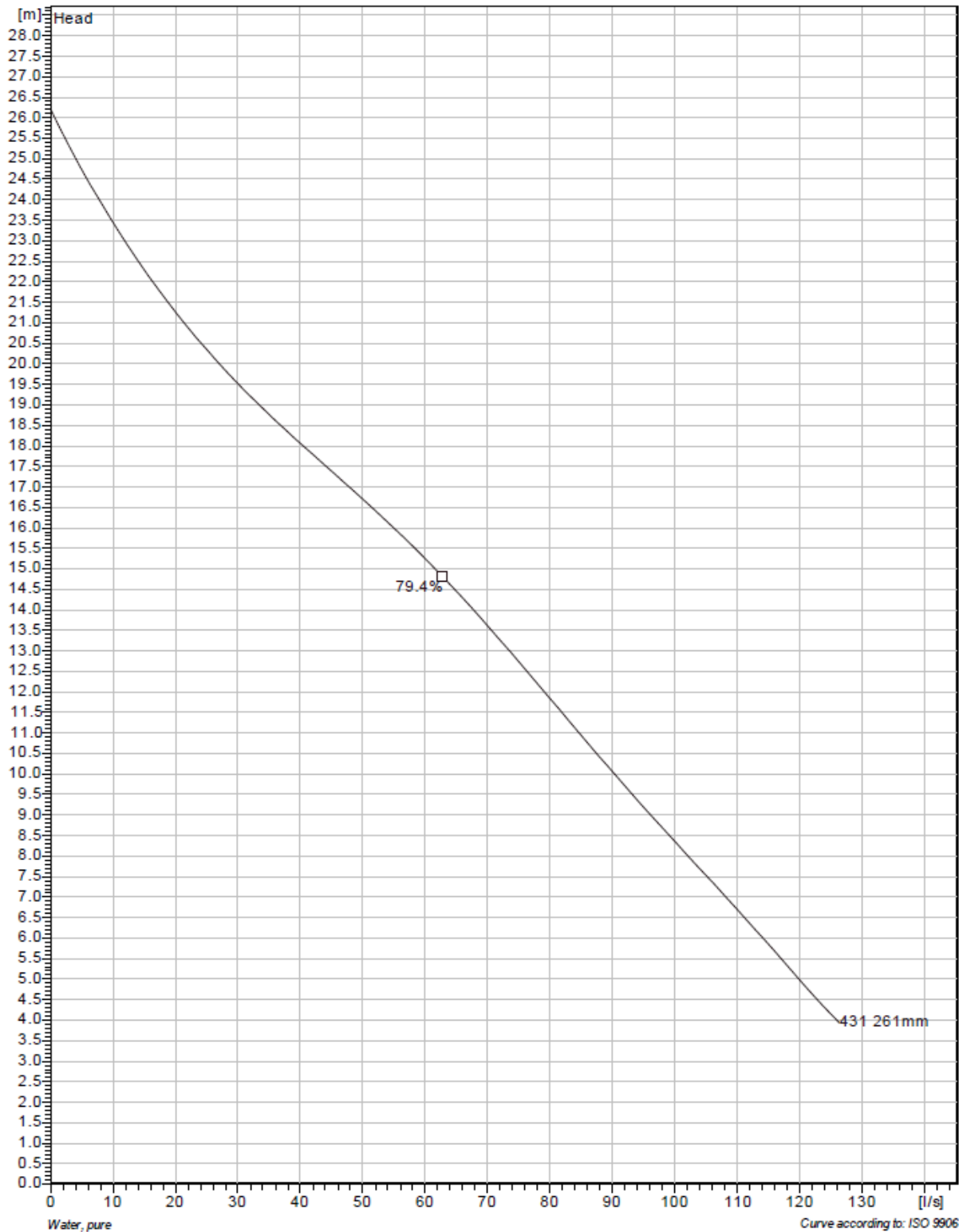
Power factor
 1/1 Load 0.84
 3/4 Load 0.79
 1/2 Load 0.68
 Efficiency
 1/1 Load 86.5 %
 3/4 Load 88.0 %
 1/2 Load 88.5 %



Project	Project ID	Created by	Created on 2014-04-11	Last update
---------	------------	------------	--------------------------	-------------



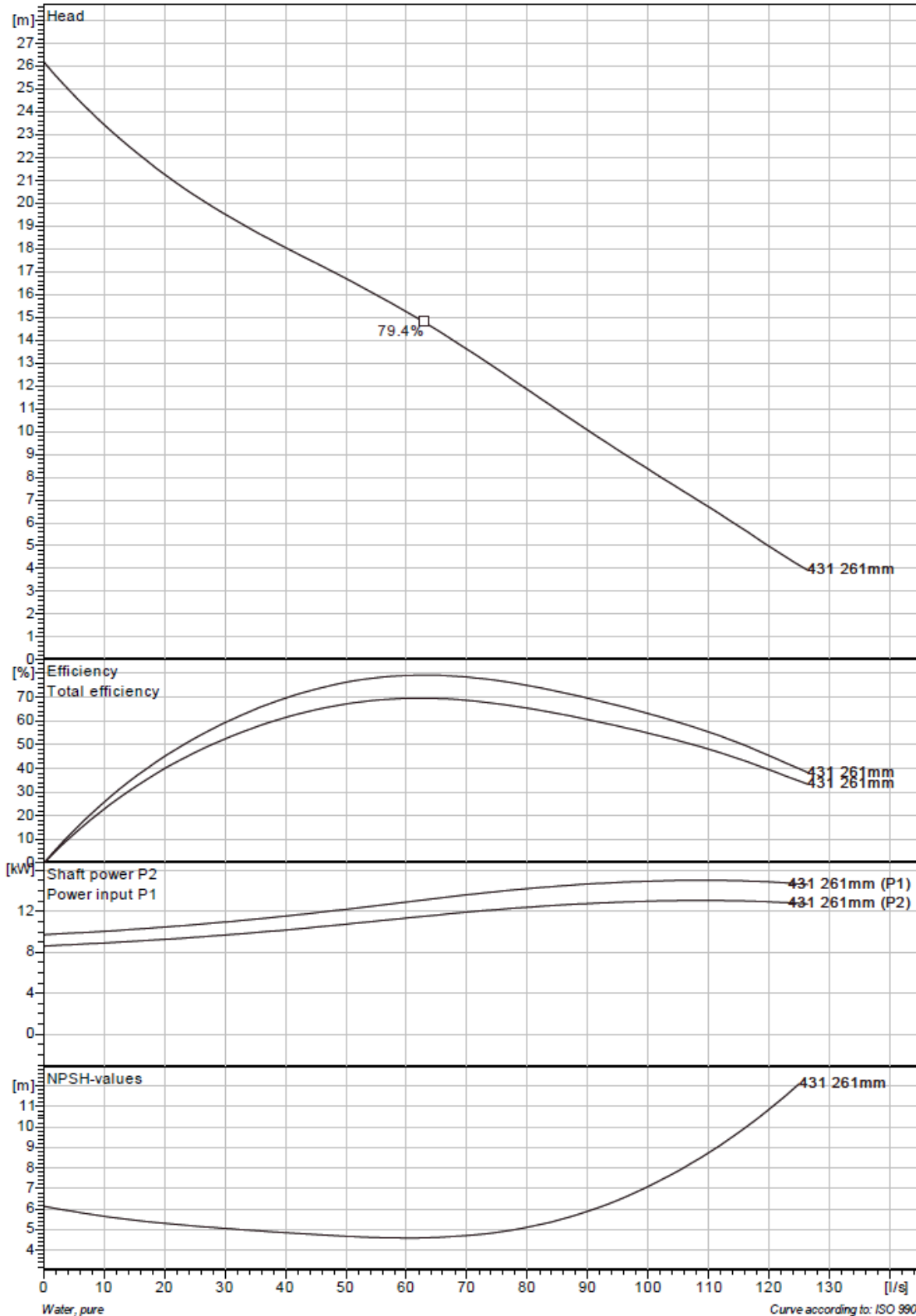
NP 3153 MT 3~ 431 Duty Analysis



Project	Project ID	Created by	Created on	Last update
			2014-04-11	



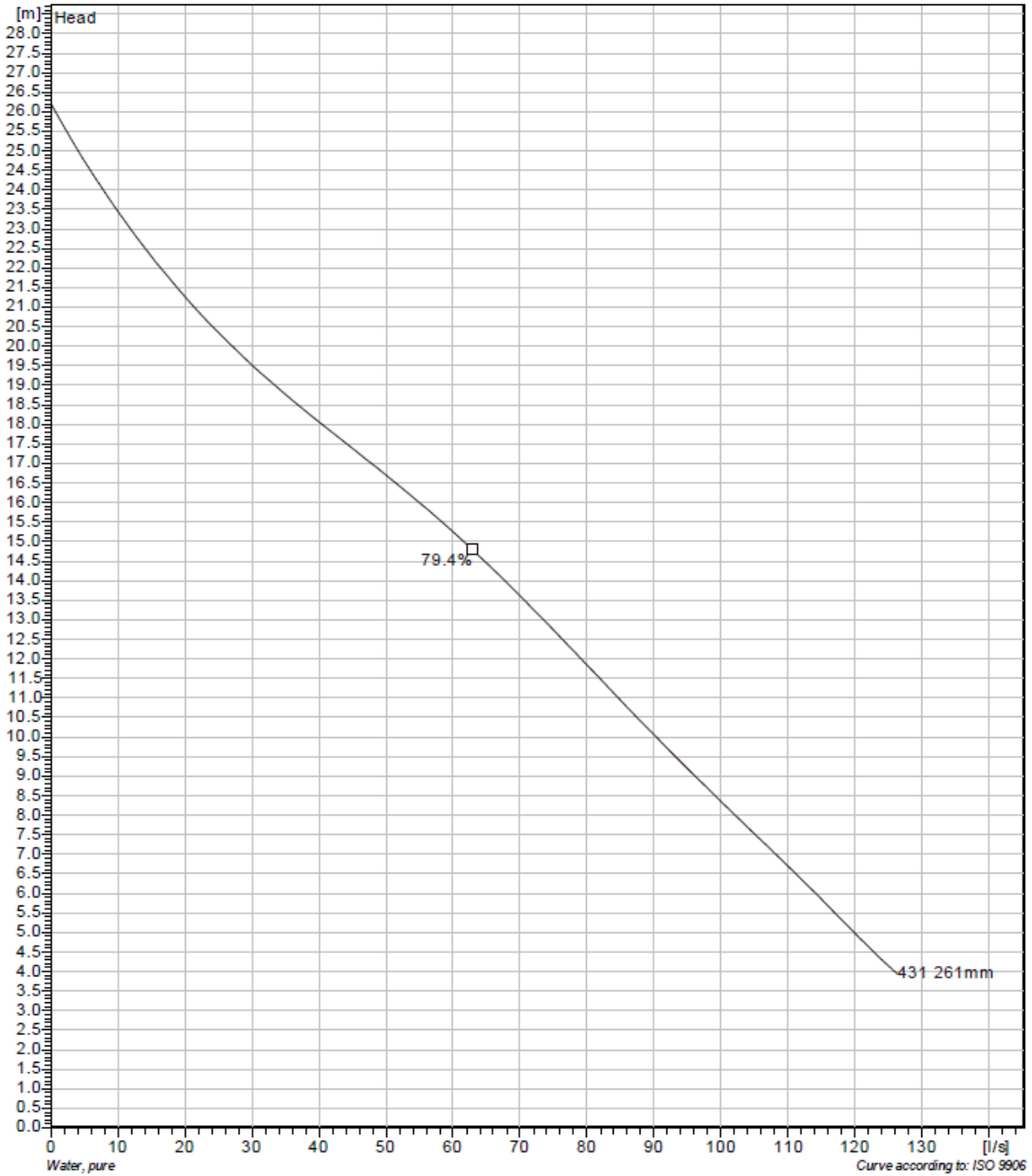
NP 3153 MT 3~ 431 VFD Curve



Project	Project ID	Created by	Created on	Last update
			2014-04-11	

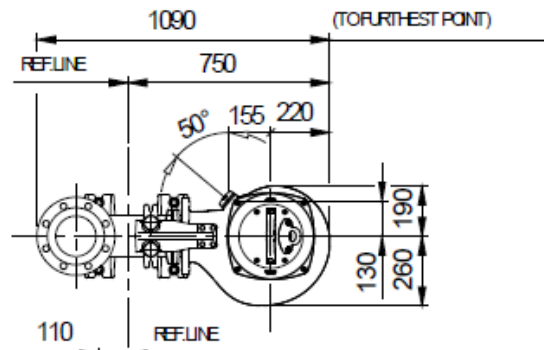
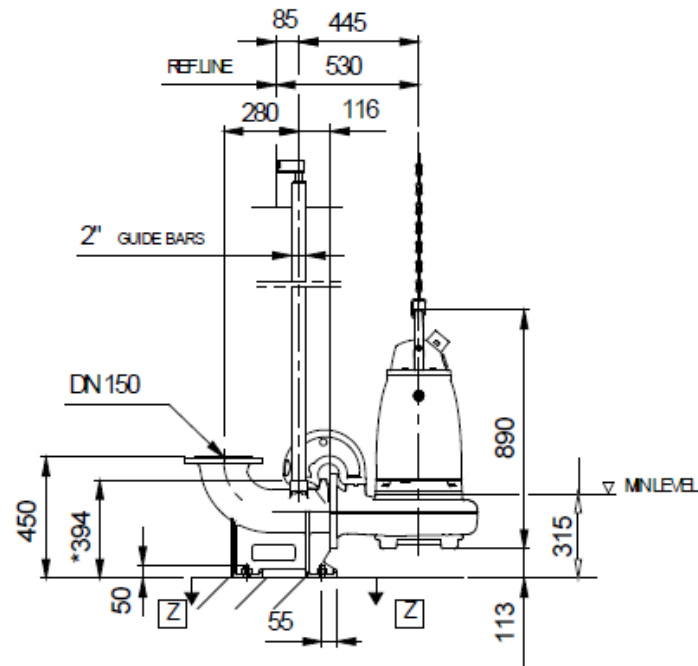


NP 3153 MT 3~ 431 VFD Analysis

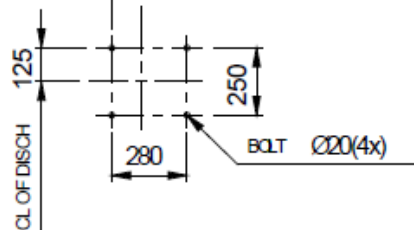


Project	Project ID	Created by	Created on	Last update
			2014-04-11	

NP 3153 MT 3~ 431
Dimensional drawing



VIEW [Z] — [Z]



* DIMENSION TO ENDS OF GUIDE BARS

Weight

Dimensional chng
NPP3153MT

Project	Project ID	Created by	Created on	Last update
			2014-04-11	