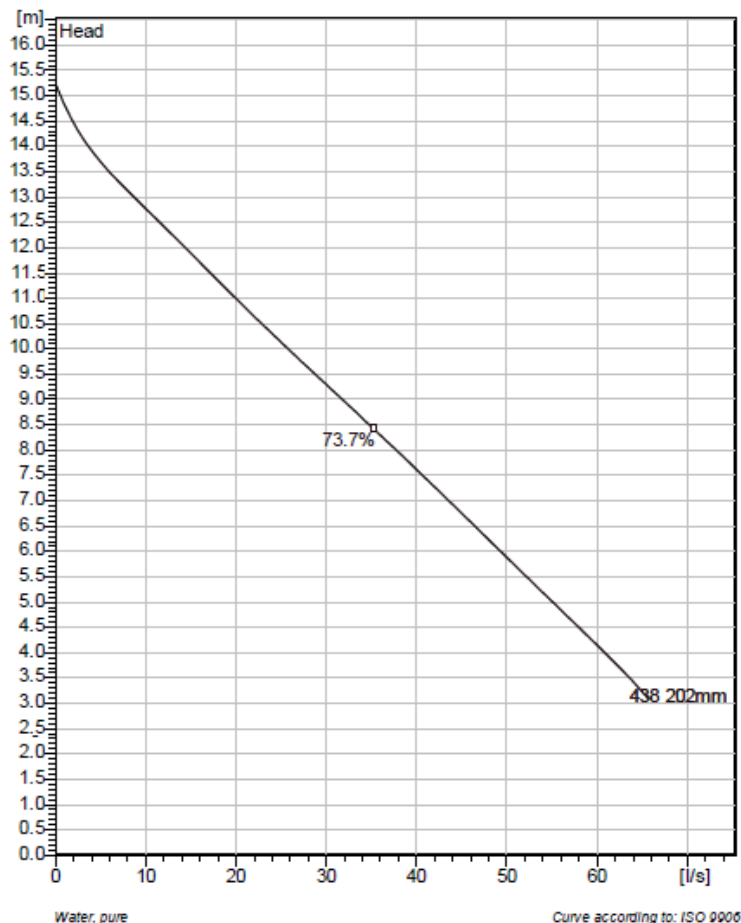




NP 3127 MT 3~ Adaptive 438 Technical specification



Note: Picture might not correspond to the current configuration.

General

Patented self cleaning semi-open channel impeller, ideal for pumping in most waste water applications. Possible to be upgraded with Guide-pin® for even better clogging resistance. Modular based design with high adaptation grade.

Impeller

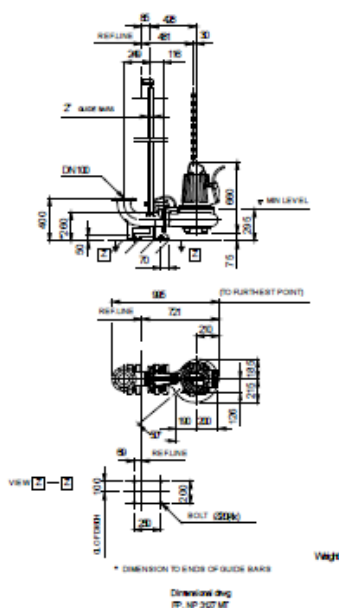
Impeller material	Grey cast iron
Outlet width	100 mm
Inlet diameter	100 mm
Impeller diameter	202 mm
Number of blades	2

Motor

Motor #	N3127.160 21-10-4AL-W 4.7KW
Stator variant	40
Frequency	50 Hz
Rated voltage	400 V
Number of poles	4
Phases	3~
Rated power	4.7 kW
Rated current	10 A
Starting current	73 A
Rated speed	1480 1/min
Power factor	
1/1 Load	0.78
3/4 Load	0.71
1/2 Load	0.59
Efficiency	
1/1 Load	83.0 %
3/4 Load	82.5 %
1/2 Load	79.5 %

Configuration

Installation: P - Semi permanent, Wet



Project	Project ID	Created by	Created on 2014-04-11	Last update
---------	------------	------------	--------------------------	-------------



NP 3127 MT 3~ Adaptive 438

Performance curve

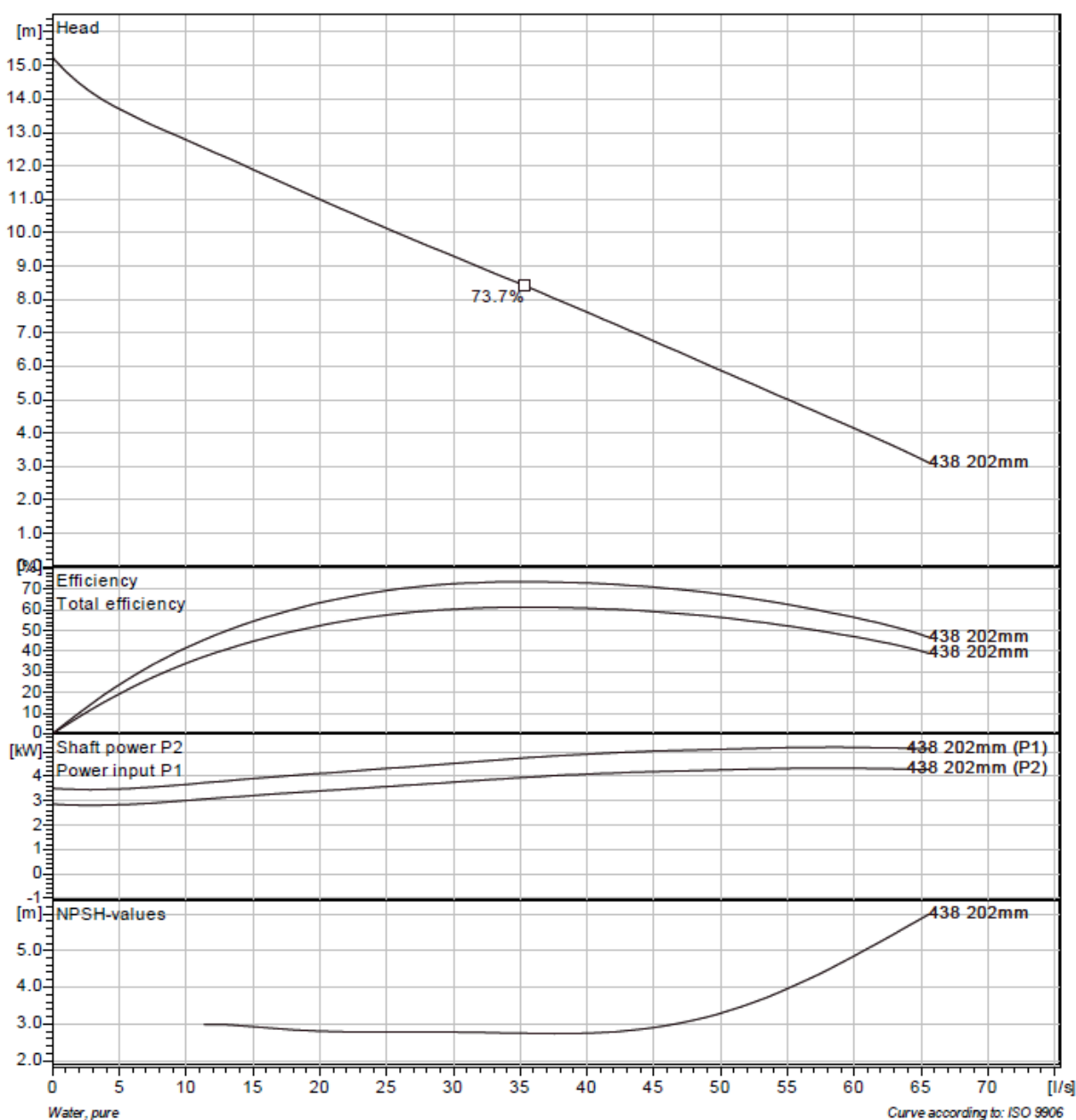
Pump

Outlet width 100 mm
 Inlet diameter 100 mm
 Impeller diameter 202 mm
 Number of blades 2

Motor

Motor # N3127.160 21-10-4AL-W 4.7KW
 Stator variant 40
 Frequency 50 Hz
 Rated voltage 400 V
 Number of poles 4
 Phases 3~
 Rated power 4.7 kW
 Rated current 10 A
 Starting current 73 A
 Rated speed 1460 1/min

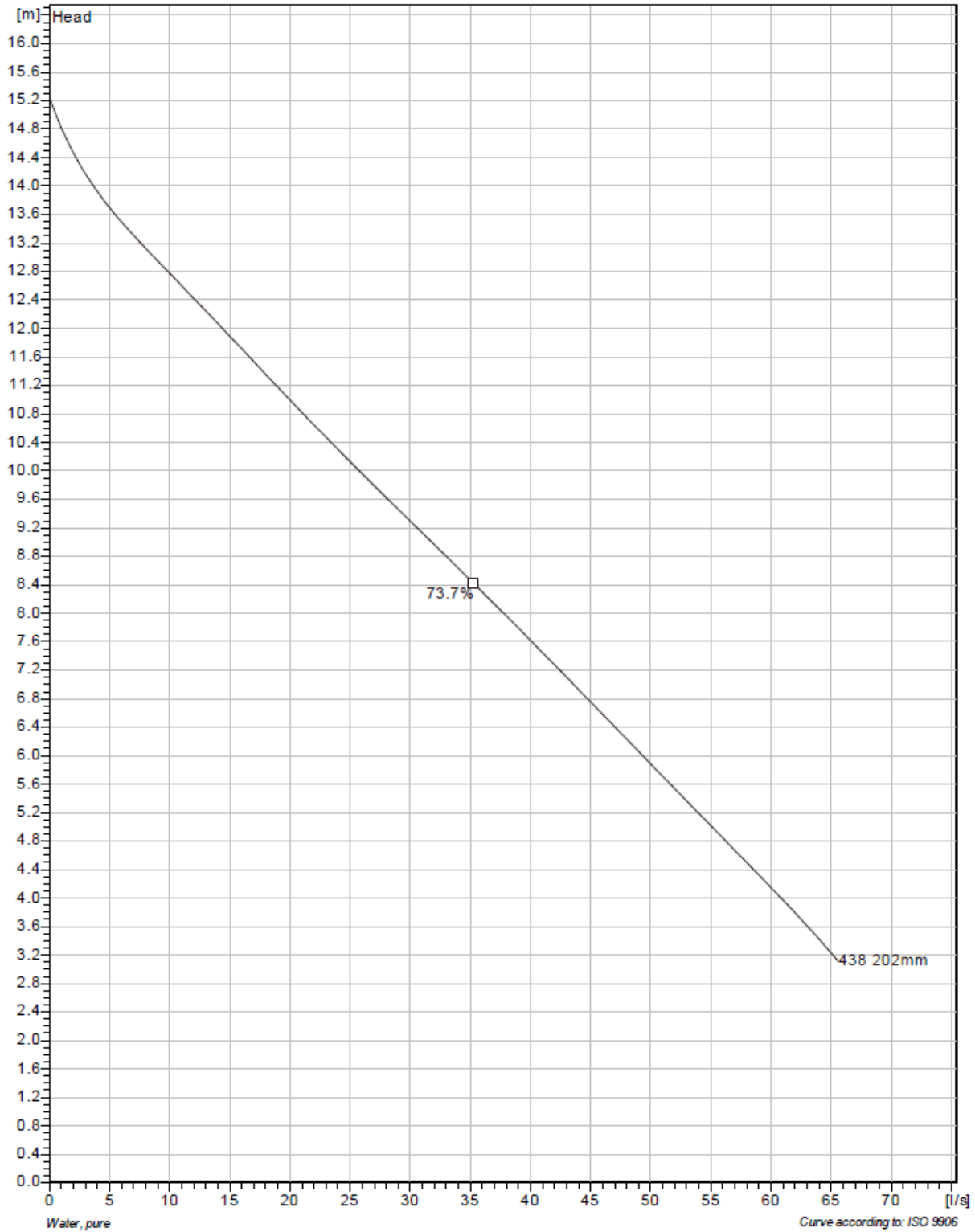
Power factor
 1/1 Load 0.78
 3/4 Load 0.71
 1/2 Load 0.59
 Efficiency
 1/1 Load 83.0 %
 3/4 Load 82.5 %
 1/2 Load 79.5 %



Project	Project ID	Created by	Created on	Last update
			2014-04-11	



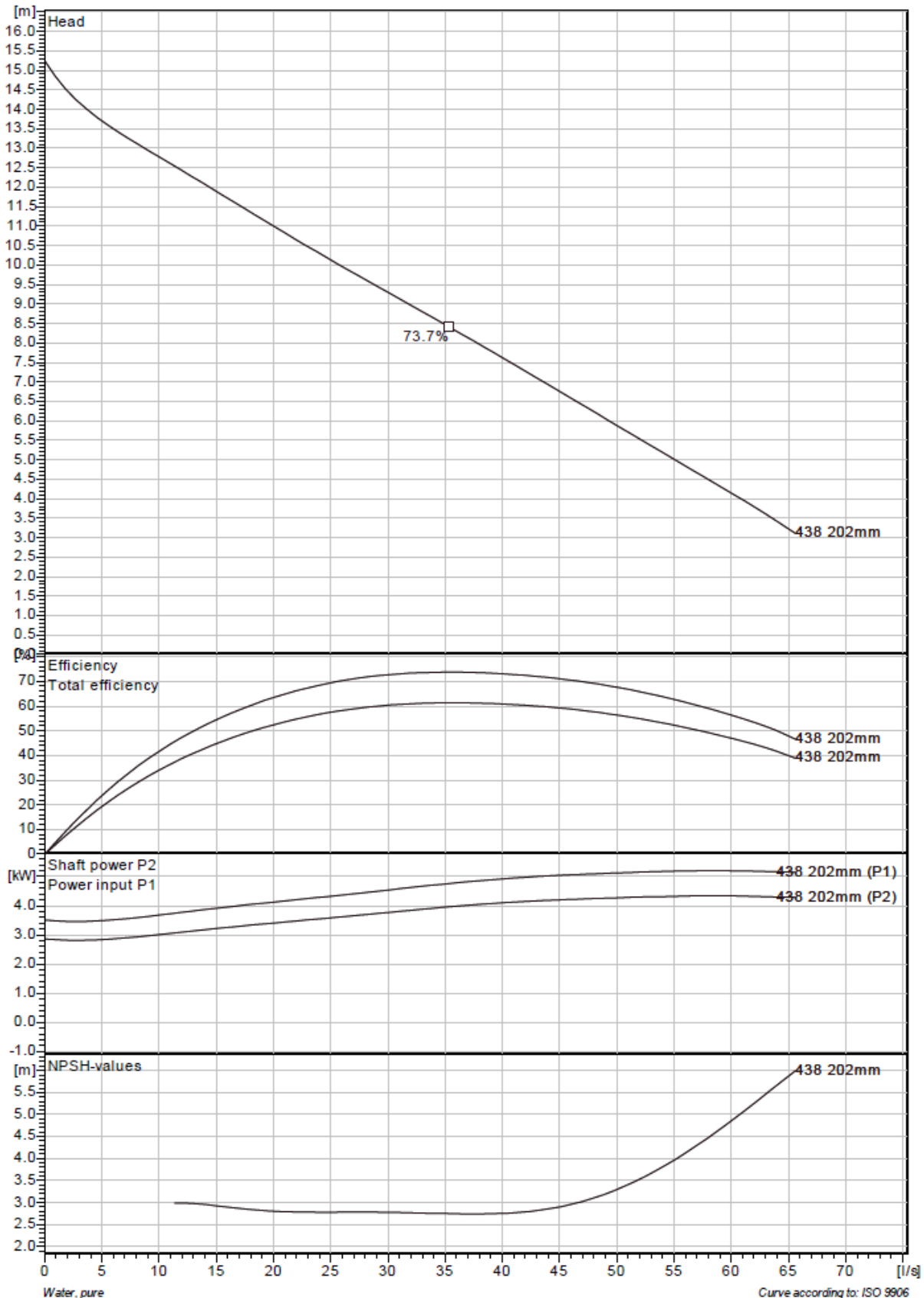
NP 3127 MT 3~ Adaptive 438 Duty Analysis



Project	Project ID	Created by	Created on	Last update
			2014-04-11	



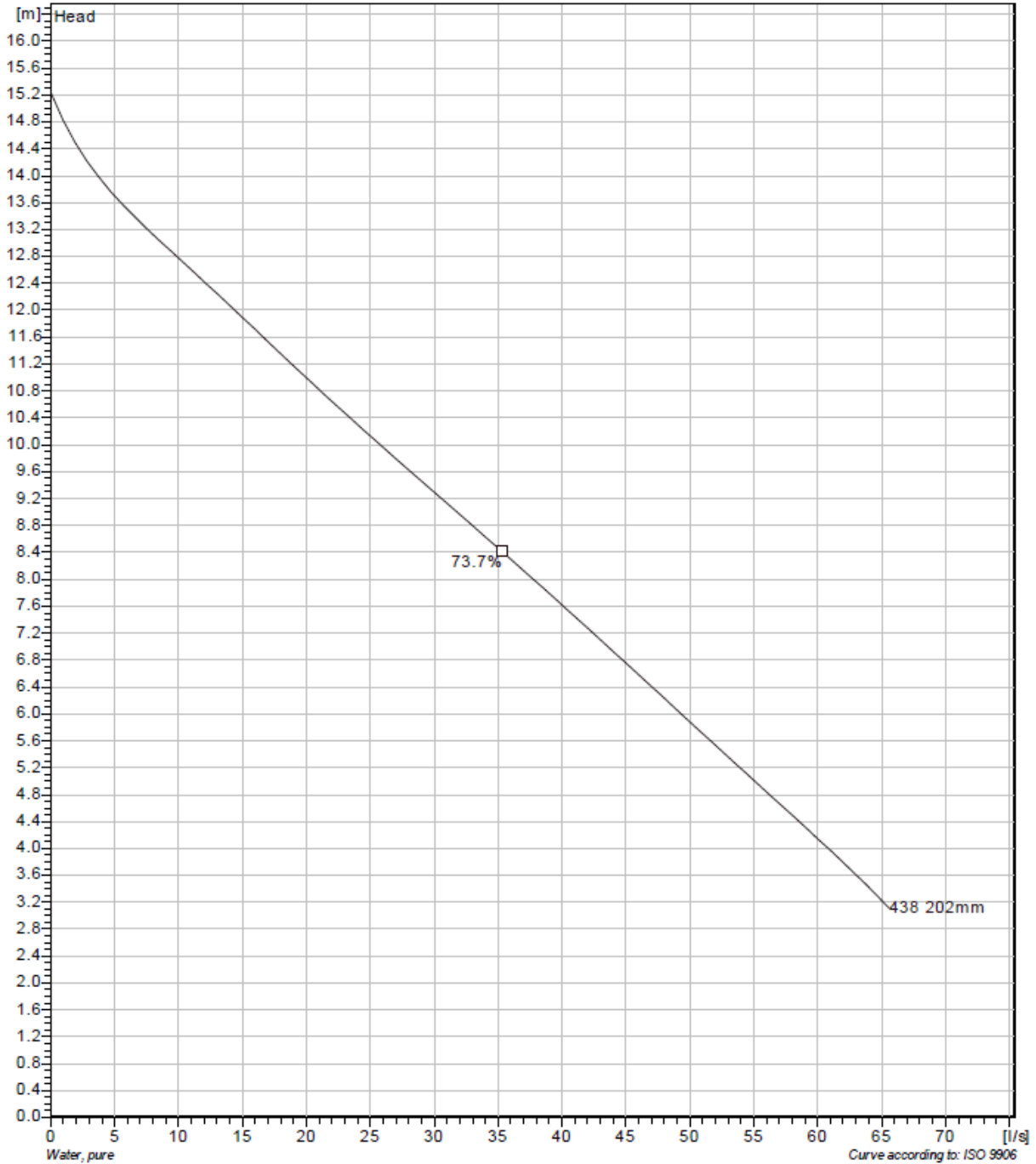
NP 3127 MT 3~ Adaptive 438 VFD Curve



Project	Project ID	Created by	Created on	Last update
			2014-04-11	



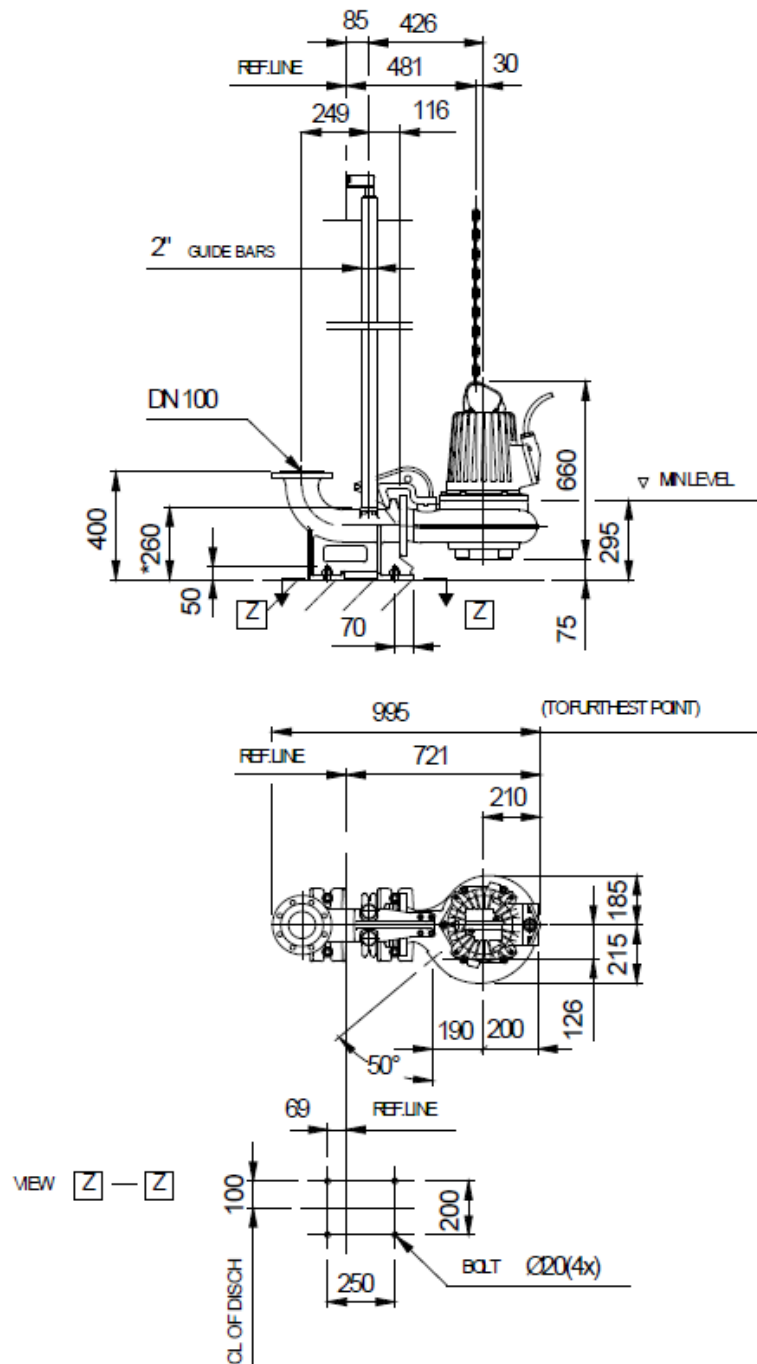
NP 3127 MT 3~ Adaptive 438 VFD Analysis



Project	Project ID	Created by	Created on	Last update
			2014-04-11	



NP 3127 MT 3~ Adaptive 438 Dimensional drawing



Weight

* DIMENSION TO ENDS OF GUIDE BARS

Dimensional dwg
FP, NP3127MT

Project	Project ID	Created by	Created on	Last update
			2014-04-11	