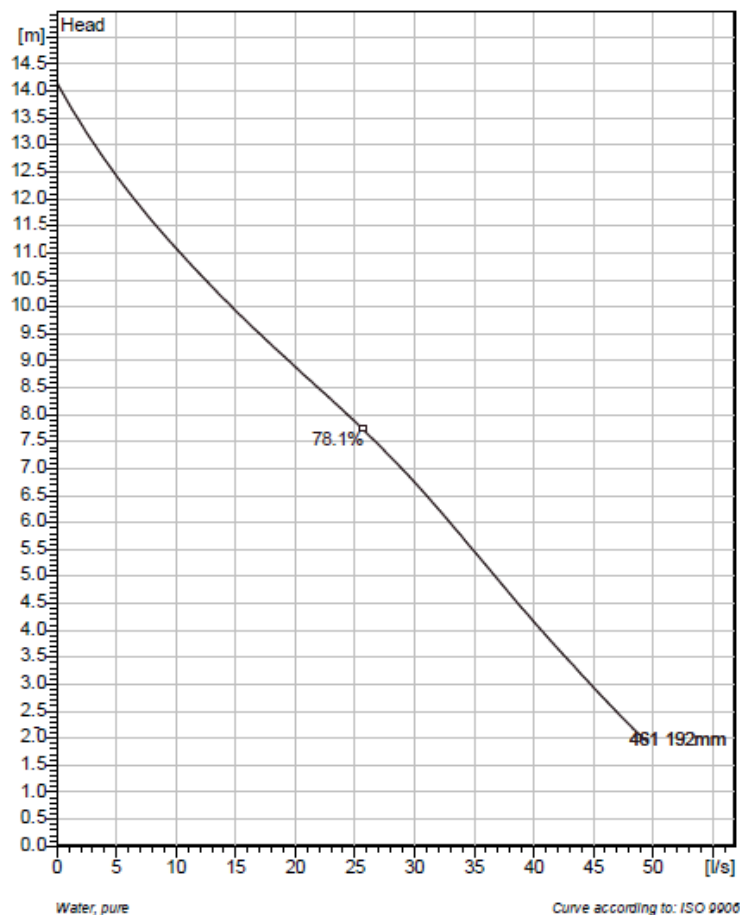




NP 3102 MT 3~ Adaptive 461 Technical specification



Note: Picture might not correspond to the current configuration.

General

Patented self cleaning semi-open channel impeller, ideal for pumping in most waste water applications. Possible to be upgraded with Guide-pin® for even better clogging resistance. Modular based design with high adaptation grade.

Impeller

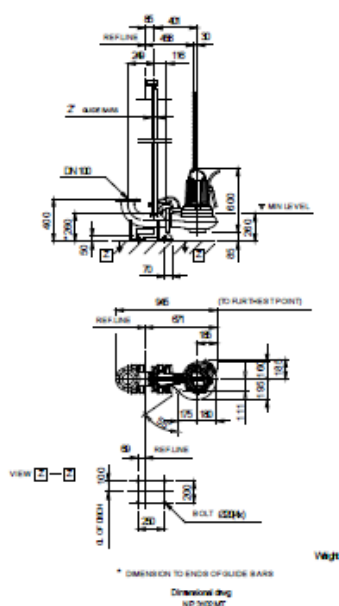
Impeller material	Grey cast iron
Outlet width	100 mm
Inlet diameter	100 mm
Impeller diameter	192 mm
Number of blades	2

Motor

Motor #	N3102.160 18-11-4AL-W 3.1kW
Stator variant	62
Frequency	50 Hz
Rated voltage	400 V
Number of poles	4
Phases	3~
Rated power	3.1 kW
Rated current	6.7 A
Starting current	38 A
Rated speed	1445 1/min
Power factor	
1/1 Load	0.80
3/4 Load	0.73
1/2 Load	0.61
Efficiency	
1/1 Load	84.0 %
3/4 Load	84.5 %
1/2 Load	83.0 %

Configuration

Installation: P - Semi permanent, Wet



Project	Project ID	Created by	Created on 2014-04-11	Last update
---------	------------	------------	--------------------------	-------------



NP 3102 MT 3~ Adaptive 461



Performance curve

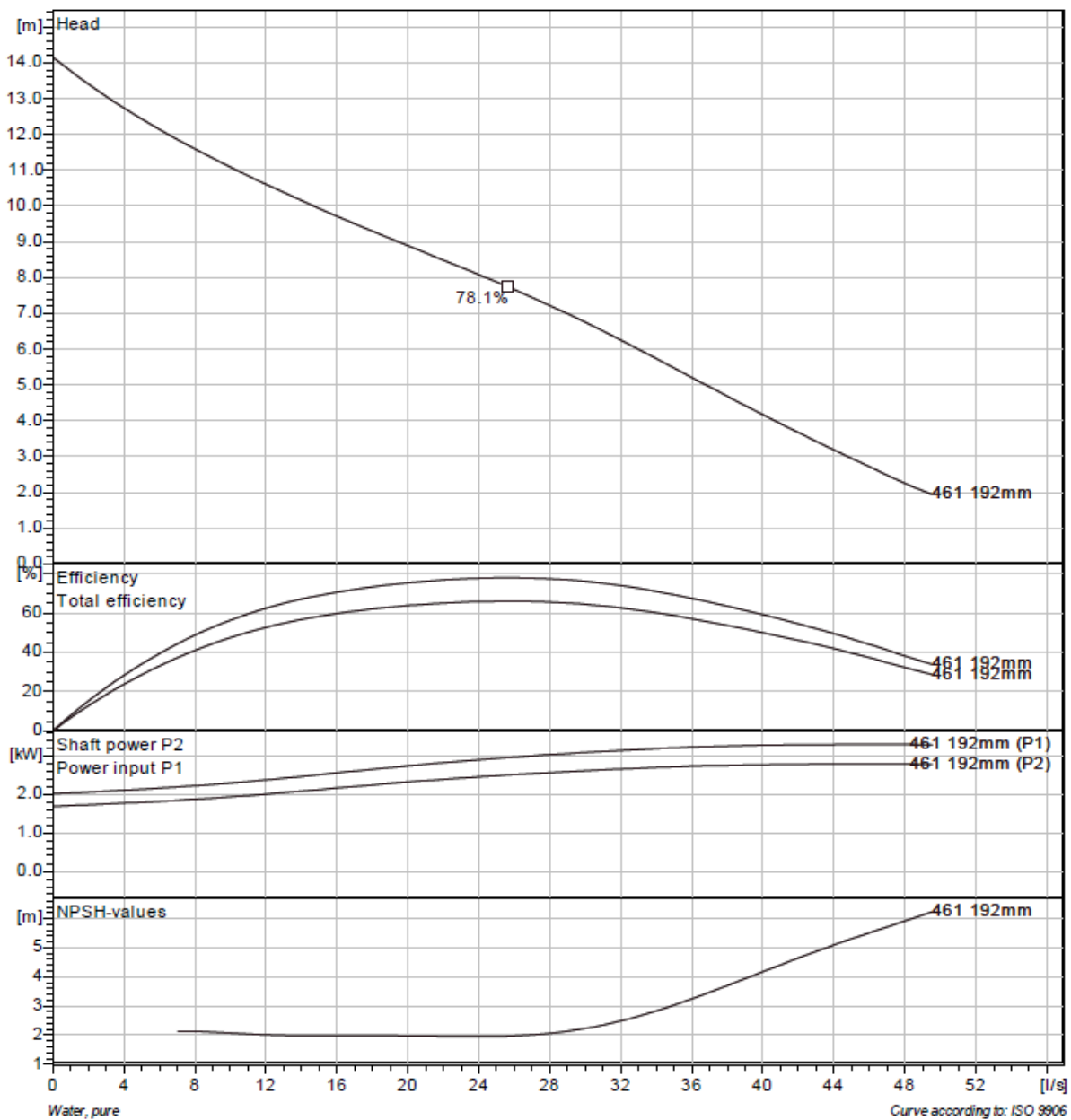
Pump

Outlet width 100 mm
 Inlet diameter 100 mm
 Impeller diameter 192 mm
 Number of blades 2

Motor

Motor # N3102.160 18-11-4AL-W 3.1KW
 Stator variant 62
 Frequency 50 Hz
 Rated voltage 400 V
 Number of poles 4
 Phases 3~
 Rated power 3.1 KW
 Rated current 6.7 A
 Starting current 38 A
 Rated speed 1445 1/min

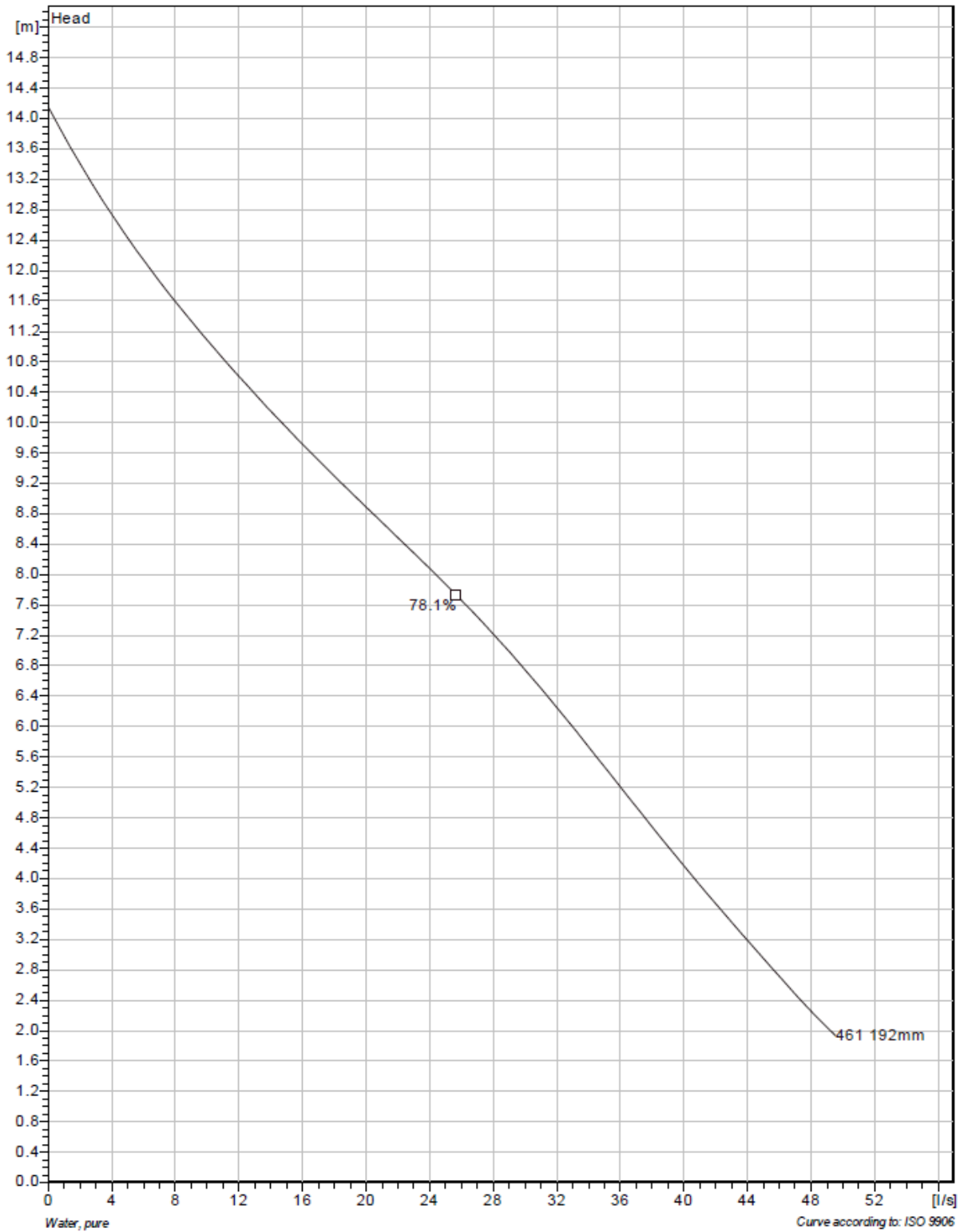
Power factor
 1/1 Load 0.80
 3/4 Load 0.73
 1/2 Load 0.61
 Efficiency
 1/1 Load 84.0 %
 3/4 Load 84.5 %
 1/2 Load 83.0 %



Project	Project ID	Created by	Created on	Last update
			2014-04-11	



NP 3102 MT 3~ Adaptive 461 Duty Analysis

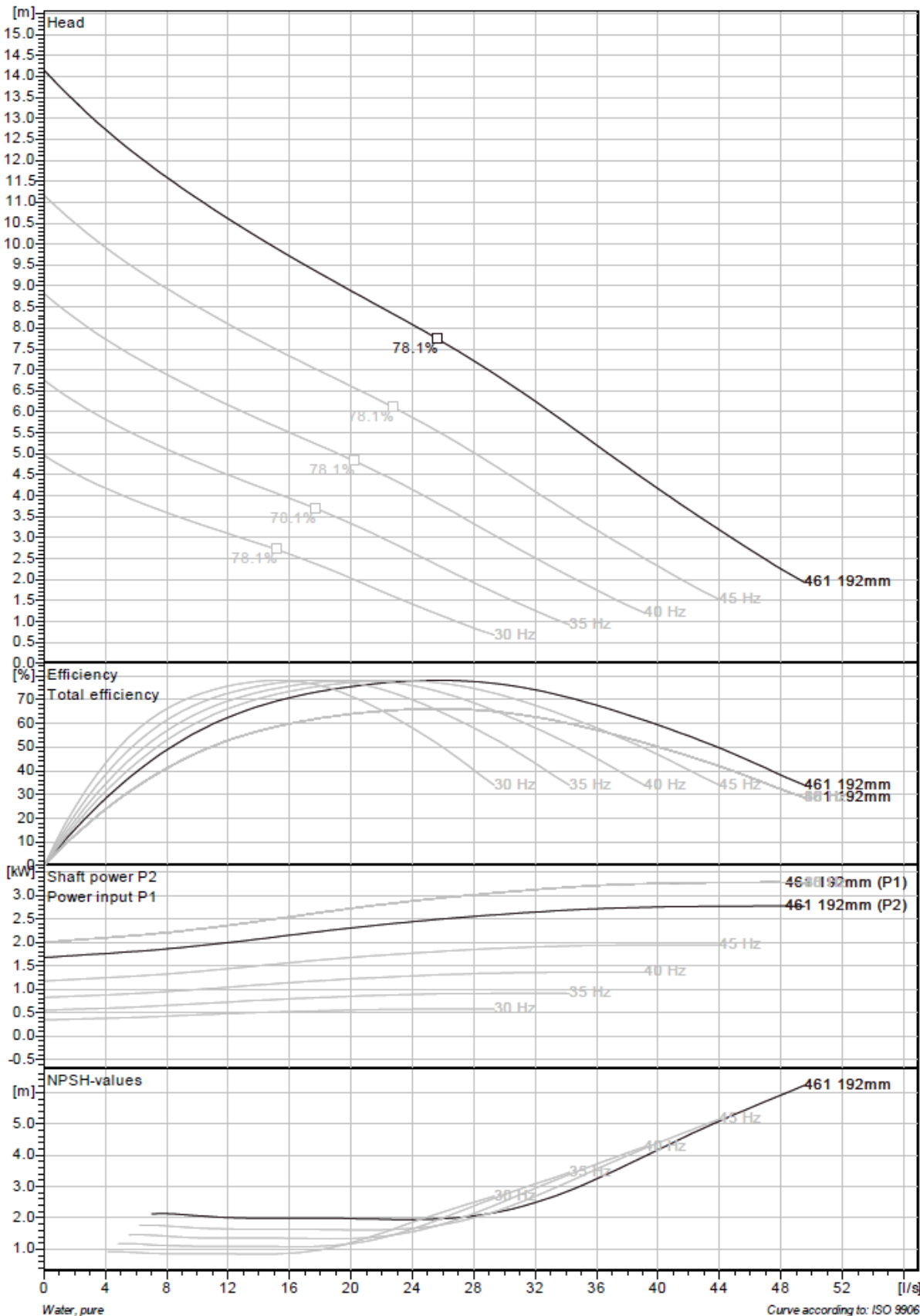


Project	Project ID	Created by	Created on	Last update
			2014-04-11	



Pump Hire, Sales & Service since 2003

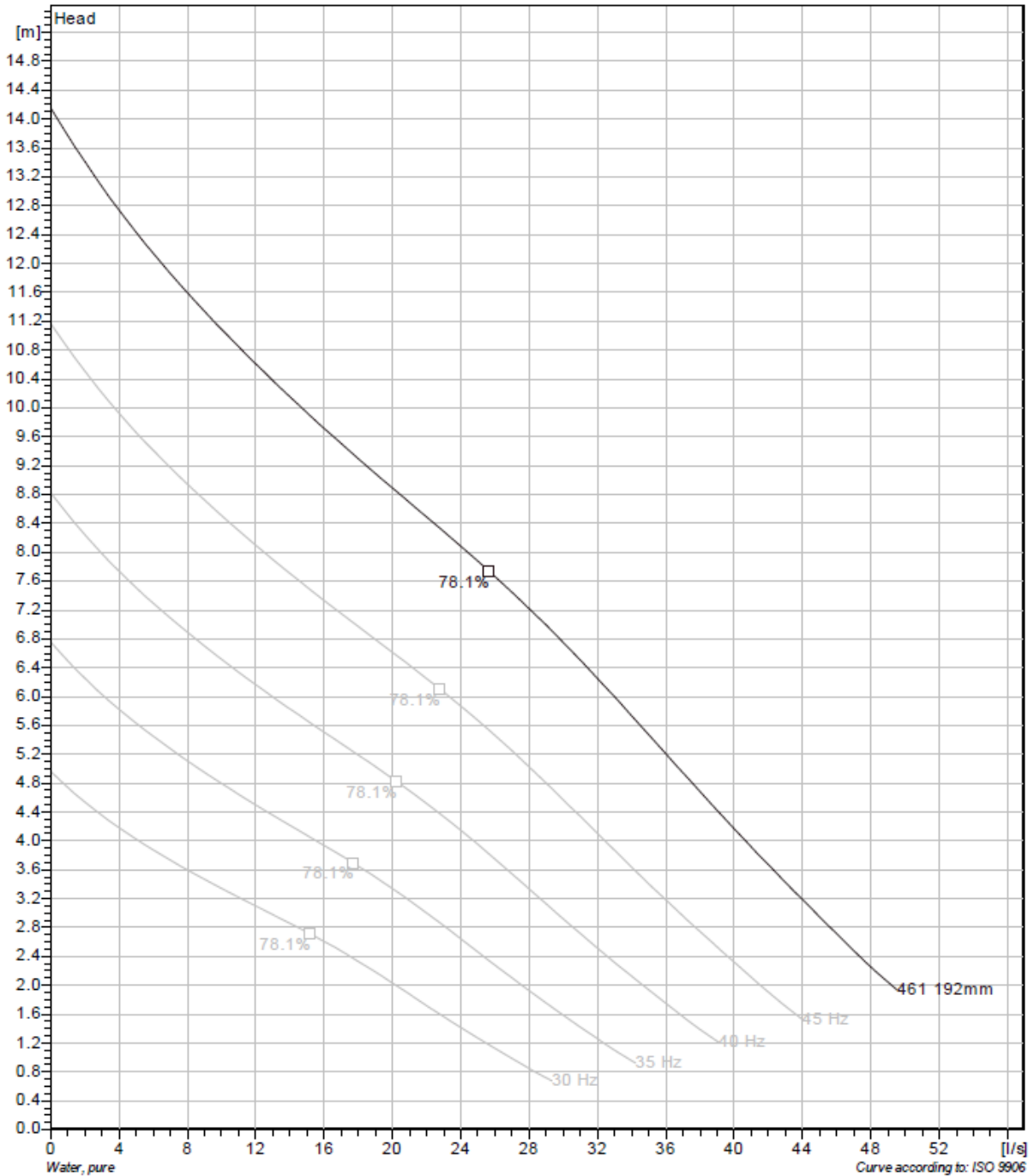
NP 3102 MT 3~ Adaptive 461 VFD Curve



Project	Project ID	Created by	Created on	Last update
			2014-04-11	



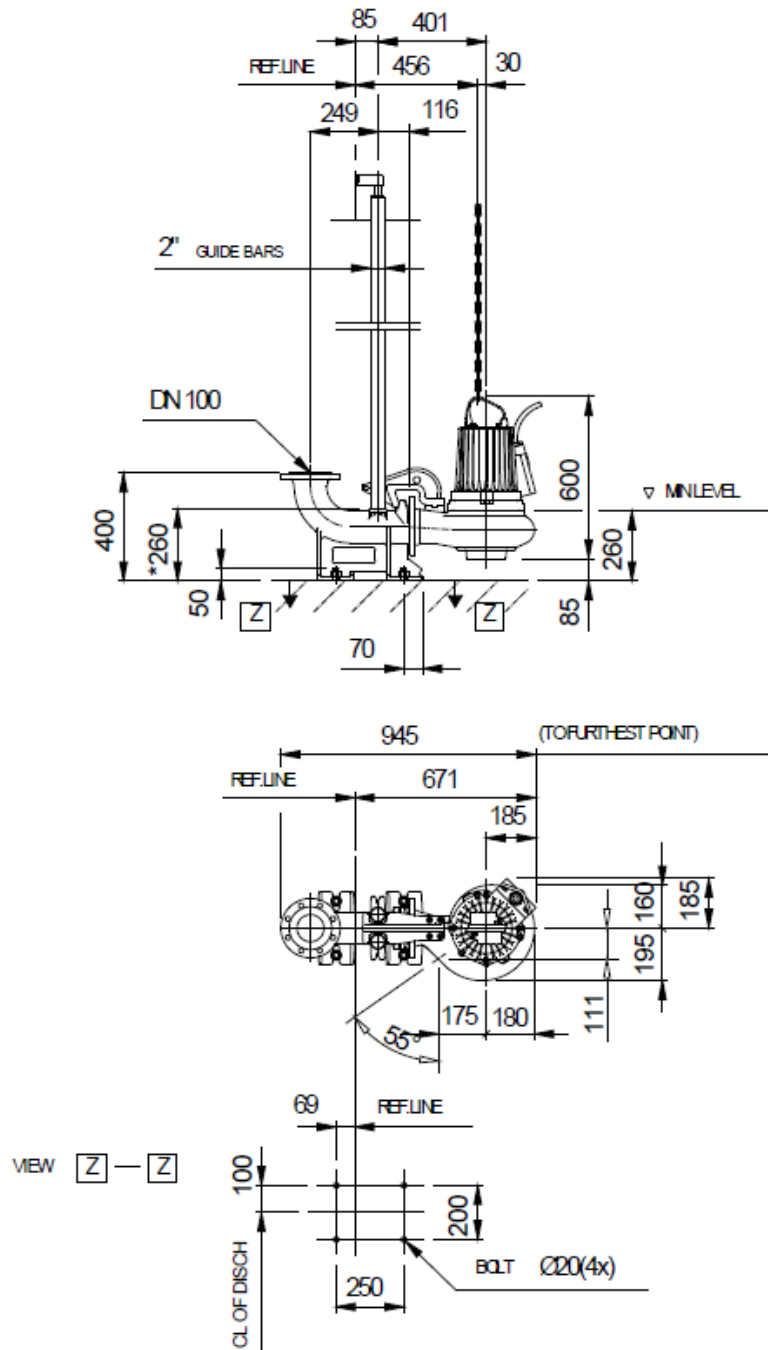
NP 3102 MT 3~ Adaptive 461 VFD Analysis



Project	Project ID	Created by	Created on	Last update
			2014-04-11	



NP 3102 MT 3~ Adaptive 461 Dimensional drawing



Weight

* DIMENSION TO ENDS OF GUIDE BARS

Dimensional dwg
NP3102MT

Project	Project ID	Created by	Created on	Last update
			2014-04-11	