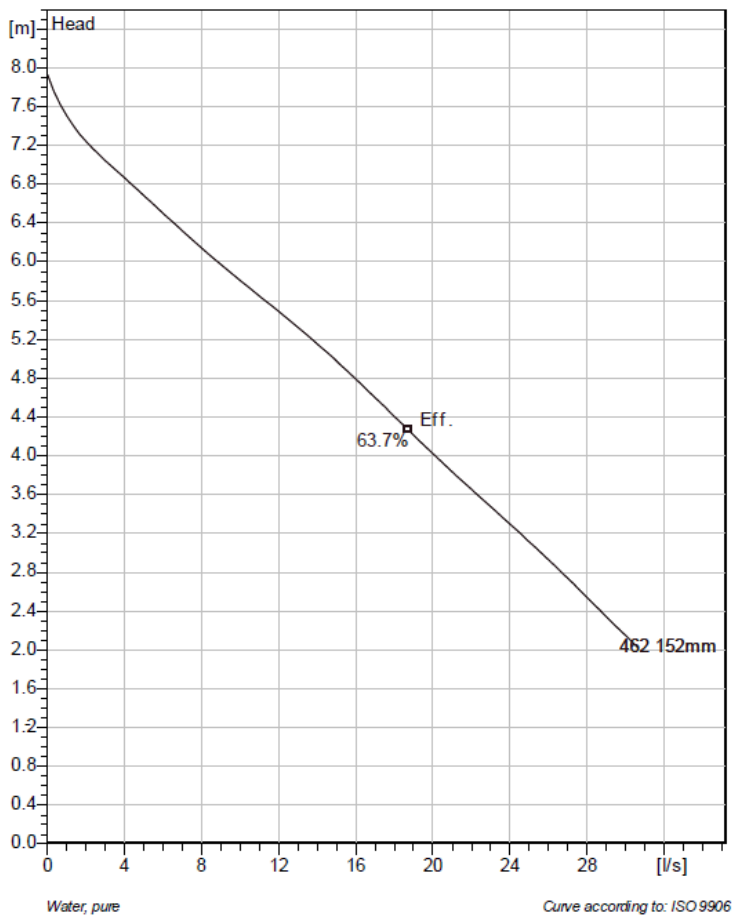




NP 3085 MT 1~ Adaptive 462 Technical specification



Note: Picture might not correspond to the current configuration.

General

Patented self cleaning semi-open channel impeller, ideal for pumping in most waste water applications. Possible to be upgraded with Guide-pin® for even better clogging resistance. Modular based design with high adaptation grade.

Impeller

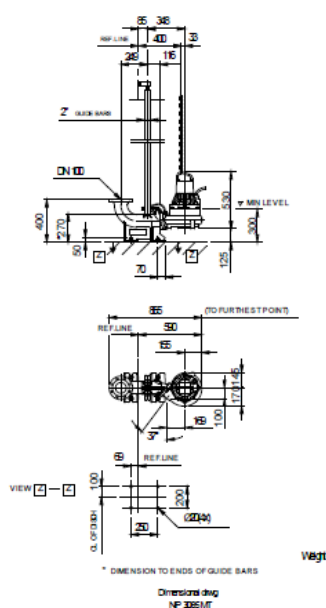
Impeller material	Grey cast iron
Outlet width	80 mm
Inlet diameter	80 mm
Impeller diameter	152 mm
Number of blades	2

Motor

Motor #	N3085.160 15-10-4AL-W 1.5KW
Stator v variant	14
Frequency	50 Hz
Rated voltage	230 V
Number of poles	4
Phases	1~
Rated power	1.5 kW
Rated current	9.4 A
Starting current	43 A
Rated speed	1425 1/min
Power factor	
1/1 Load	0.90
3/4 Load	0.87
1/2 Load	0.81
Efficiency	
1/1 Load	76.5 %
3/4 Load	76.5 %
1/2 Load	71.0 %

Configuration

Installation: P - Semi permanent, Wet



Project	Project ID	Created by	Created on 2014-04-11	Last update
---------	------------	------------	--------------------------	-------------



NP 3085 MT 1~ Adaptive 462



Performance curve

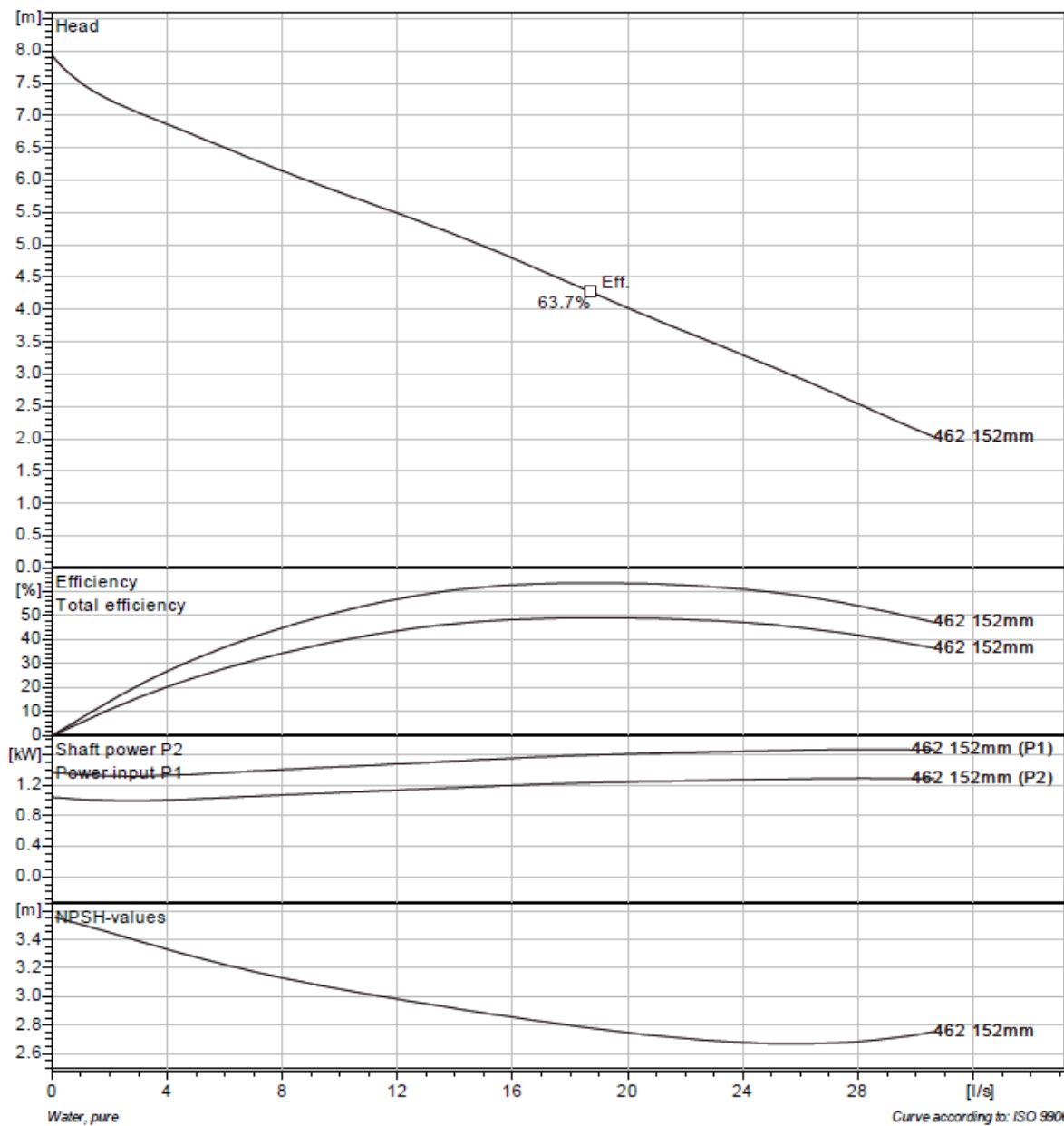
Pump

Outlet width	80 mm
Inlet diameter	80 mm
Impeller diameter	152 mm
Number of blades	2

Motor

Motor #	N3085.160 15-10-4AL-W 1.5KW
Stator variant	14
Frequency	50 Hz
Rated voltage	230 V
Number of poles	4
Phases	1~
Rated power	1.5 kW
Rated current	9.4 A
Starting current	43 A
Rated speed	1425 1/min

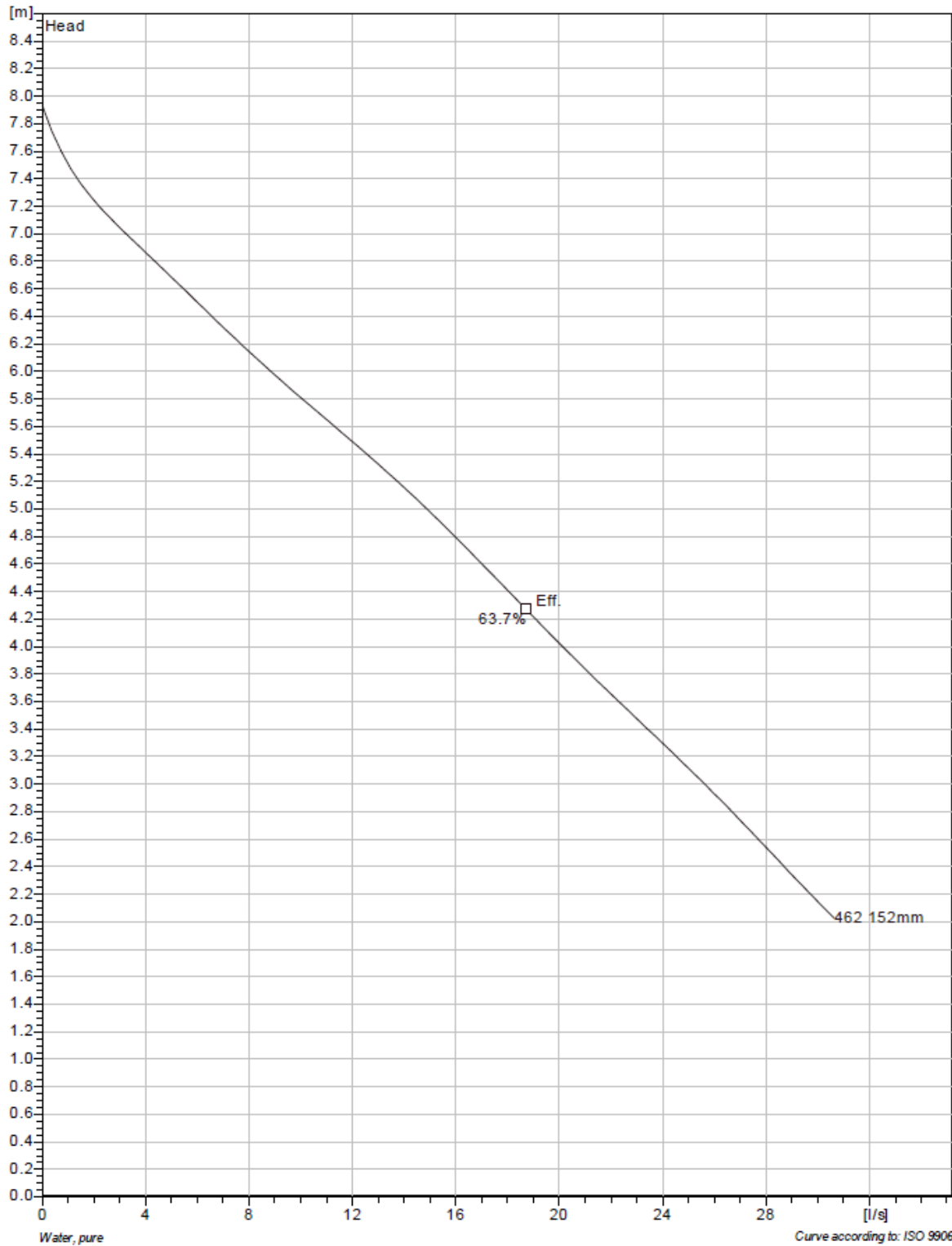
Power factor	
1/1 Load	0.90
3/4 Load	0.87
1/2 Load	0.81
Efficiency	
1/1 Load	76.5 %
3/4 Load	76.5 %
1/2 Load	71.0 %



Project	Project ID	Created by	Created on	Last update
			2014-04-11	



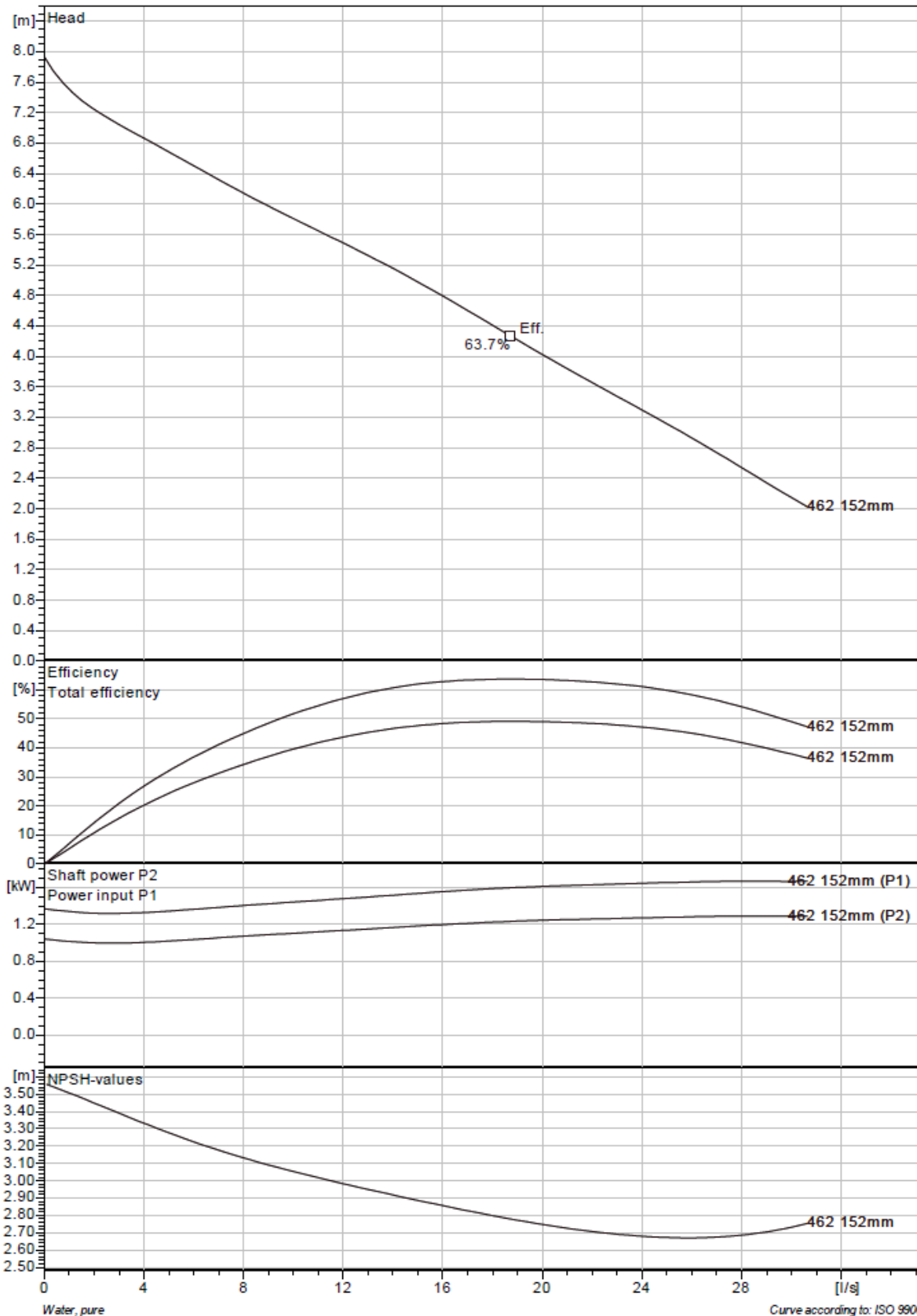
NP 3085 MT 1~ Adaptive 462 Duty Analysis



Project	Project ID	Created by	Created on	Last update
			2014-04-11	



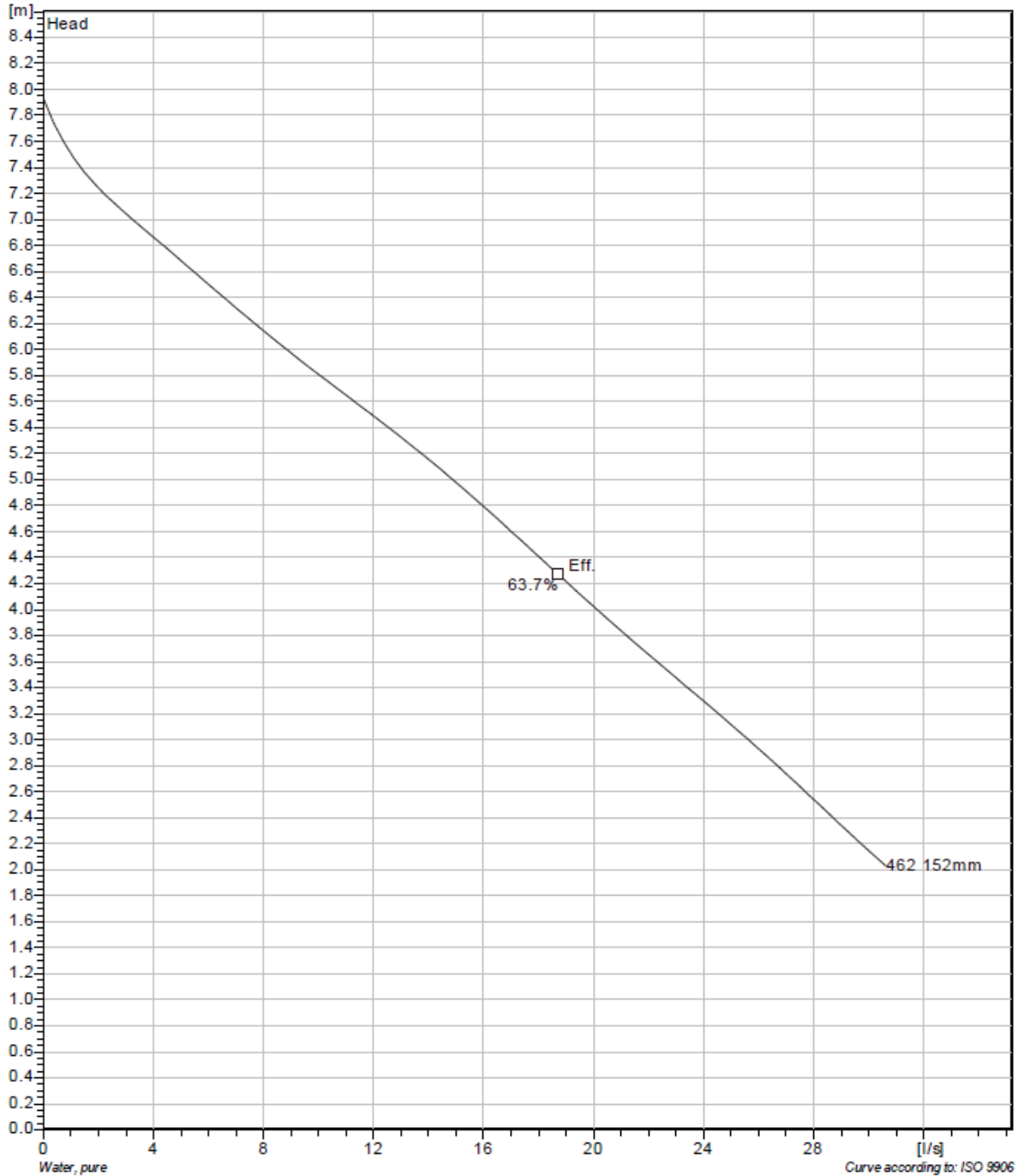
NP 3085 MT 1~ Adaptive 462 VFD Curve



Project	Project ID	Created by	Created on	Last update
			2014-04-11	



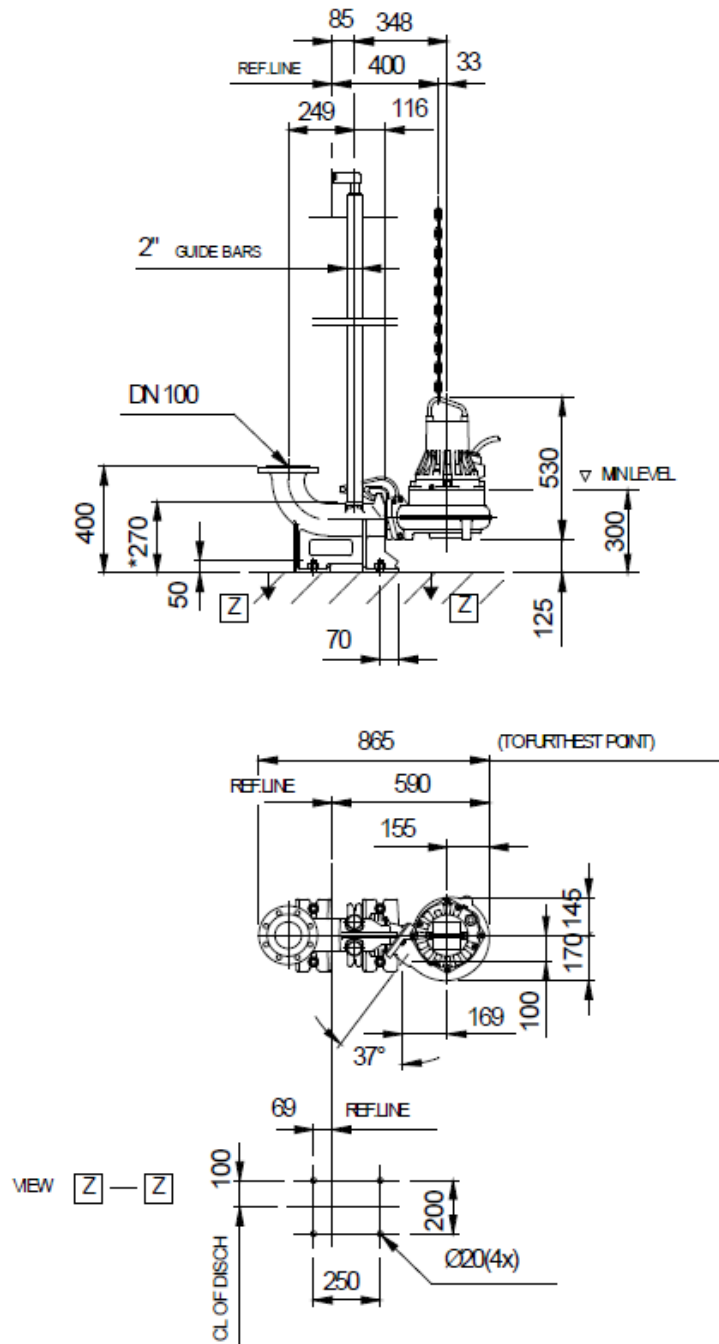
NP 3085 MT 1~ Adaptive 462 VFD Analysis



Project	Project ID	Created by	Created on	Last update
			2014-04-11	



NP 3085 MT 1~ Adaptive 462 Dimensional drawing



* DIMENSION TO ENDS OF GUIDE BARS

Weight

Dimensional dvg
NP3085MT

Project	Project ID	Created by	Created on	Last update
			2014-04-11	