

GMG

Submersible pumps
with high power grinder




Main materials

Pump casing: cast iron EN-GJL-250
 Motor casing: cast iron EN-GJL-250
 Motor cover: cast iron EN-GJL-250
 Impeller: cast iron GS 400
 Shaft : stainless steel AISI 420B
 Lip seal made of nitrile up to 1,6 kW
 Mechanical seal motor side: graphite/ceramic over 1,6 kW
 Mechanical seal pump side: silicon carbide/silicon carbide

Construction

Submersible pumps with high power grinder.
 Twin mechanical seal with oil chamber (lip-seal motor side up to 1,6 kW).
 Delivery connection DN 40.

Applications

Suitable for pumping waste water containing long filamentous, Paper and textile materials and organics.
 They are particularly suitable for use in domestic, residential and industrial installations
 Solid passage from 6 and 7 mm

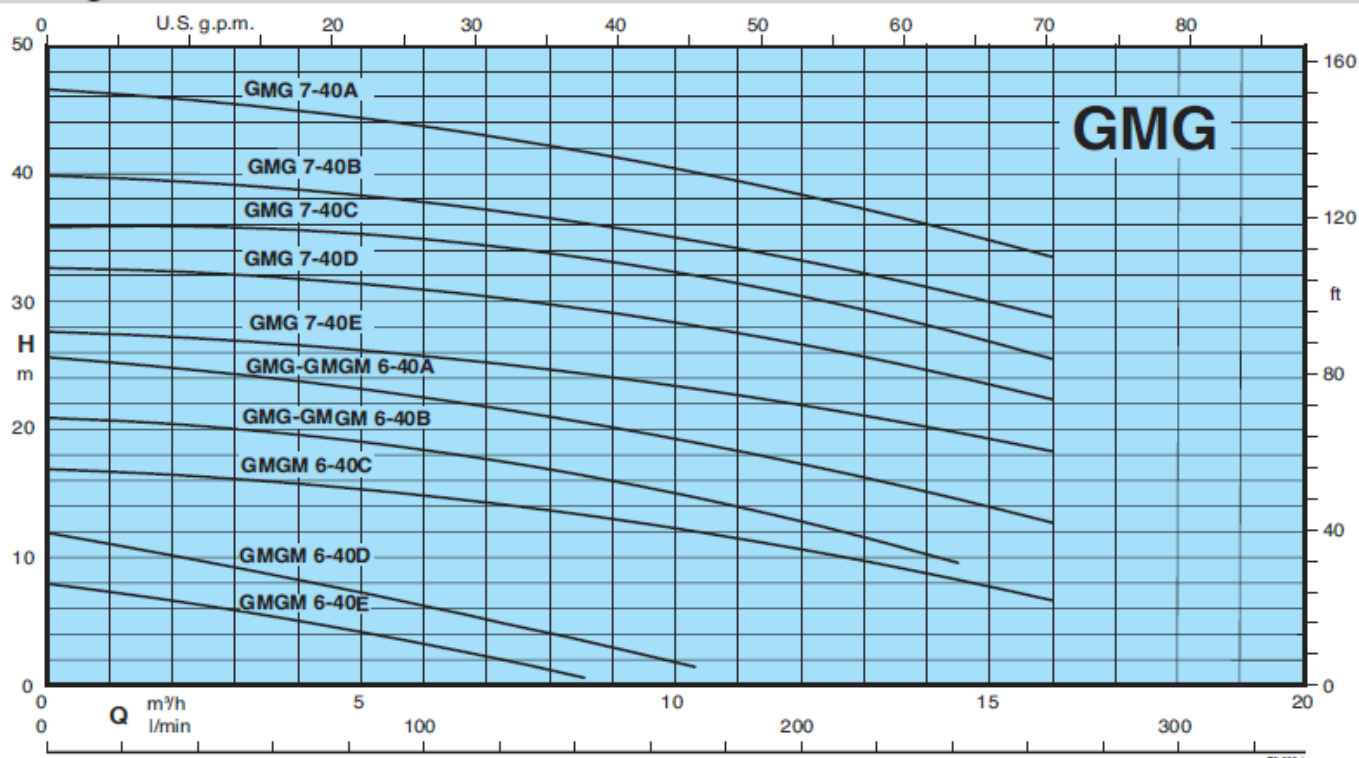
Operating conditions

Liquid temperature up to 40 °C.
 Maximum immersion depth: 20 m (with suitable cable length).
 Continuous duty (with pump immersed at minimum level).

Motor

2 poles induction, 50Hz
 Single-phase version: 230V ± 10%, with float switch and control box with thermal protection and starting capacitors.
 Three-phase version: 400V ± 10%, up to 3,2 kW
 400/690V ± 10%, over 3,2 kW
 Insulation class: H
 Protection degree: IP 68
 N° of starting x hour: max 15 with regular intervals
 Cable: H07RN-F, length 10 m
 Other models: contact our sale office

Coverage chart






Submersible pumps
with high power grinder



Technical data

TYPE	P ₂ kW	I _N A	Power Supply	r.p.m.	Starting	DN mm	Free passage Ø mm	Thermal protector	Humidity probe	 ATEX Eex
GMGM 6-40E/A	1,1	7,5	1~ 230V	2850	D.O.L.	40	6	●	NO	
GMGM 6-40D/A	1,1	7,5	1~ 230V	2850	D.O.L.	40	6	●	NO	
GMGM 6-40C	1,1	7,5	1~ 230V	2850	D.O.L.	40	6	●	NO	
GMGM 6-40B	1,1	7,5	1~ 230V	2850	D.O.L.	40	6	●	NO	
GMG 6-40B	1,4	3,5	3~ 400V	2850	D.O.L.	40	6	NO	NO	✓
GMGM 6-40A	1,8	10	1~ 230V	2850	D.O.L.	40	6	●	NO	
GMG 6-40A	2,4	5	3~ 400V	2850	D.O.L.	40	6	NO	NO	✓
GMG 7-40E	3,2	6,5	3~ 400V	2850	D.O.L.	40	7	NO	NO	✓
GMG 7-40D	3,2	6,5	3~ 400V	2850	D.O.L.	40	7	NO	NO	✓
GMG 7-40C	4,1	8,5	3~ 400/690V	2850	Y/Δ	40	7	●	●	✓
GMG 7-40B	5	11	3~ 400/690V	2850	Y/Δ	40	7	●	●	✓
GMG 7-40A	5	11	3~ 400/690V	2850	Y/Δ	40	7	●	●	✓

P₂ Rated power output

I_N Rated current

● Standard

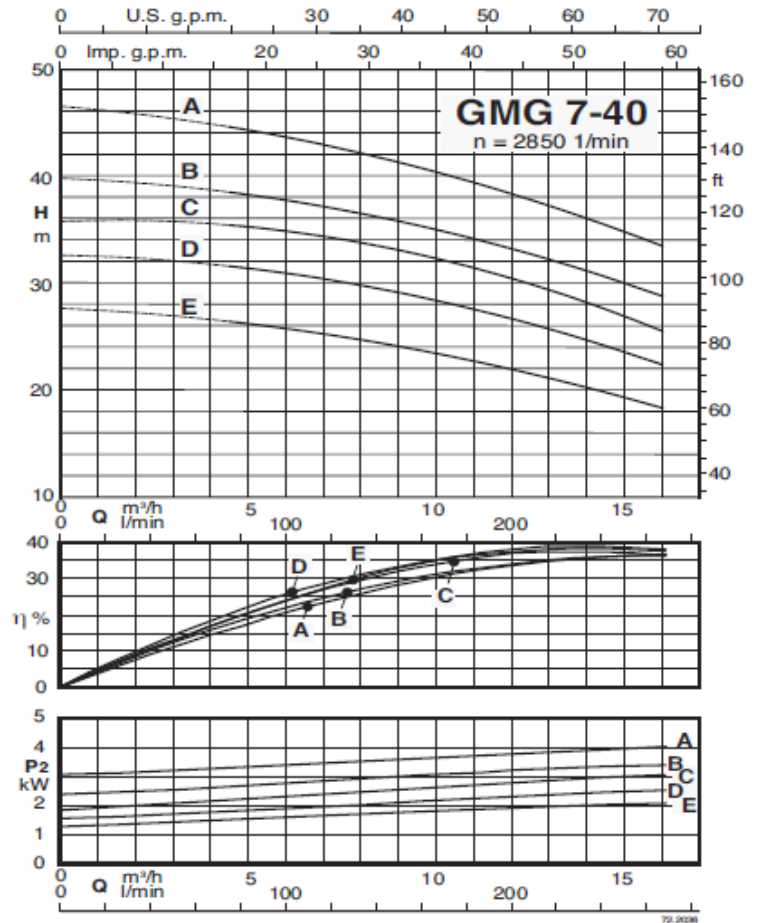
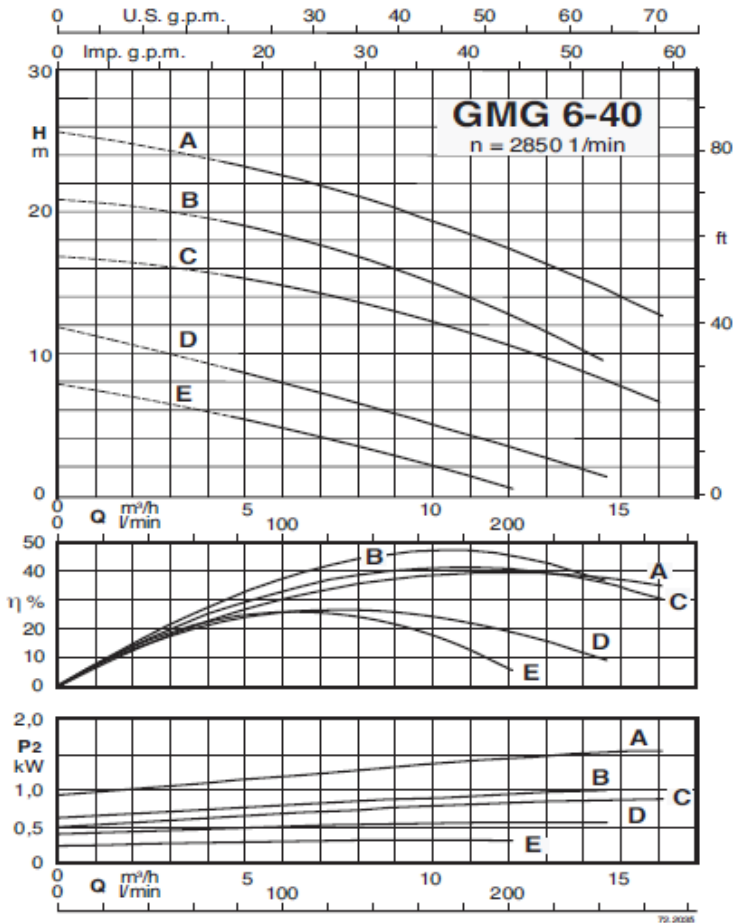
✓ ATEX Eex Version on demand



Submersible pumps
with high power grinder



Characteristic curves



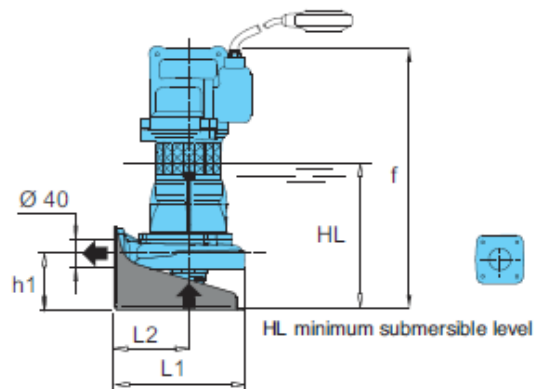


Submersible pumps
with high power grinder

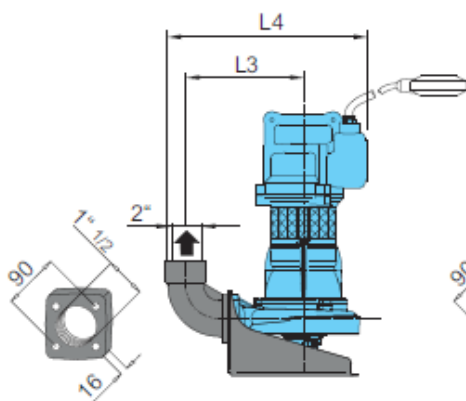
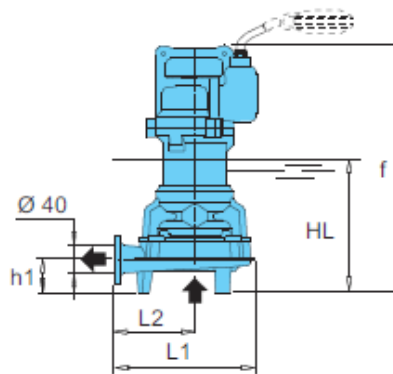


Dimensions and weights

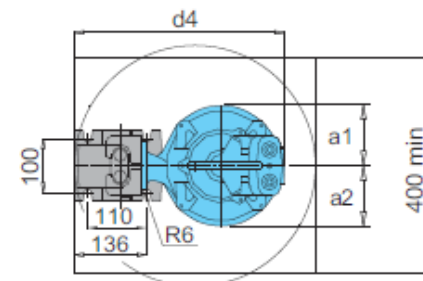
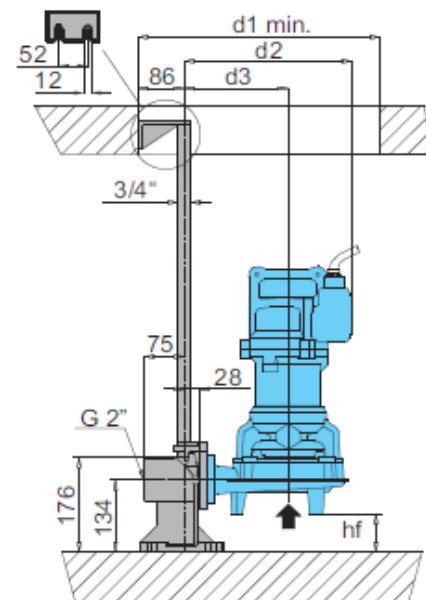
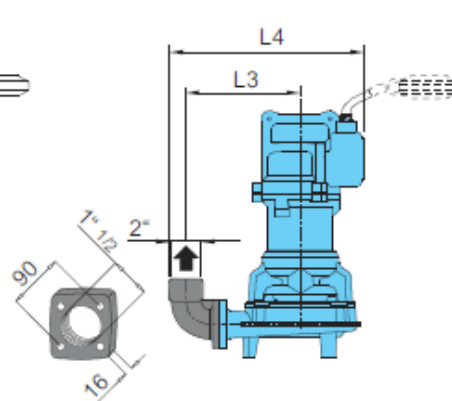
GMGM 6-40D/A, E/A



GMGM 6-40 GMG 6-40 GMG 7-40



Version with threaded flange and 90° elbow



Version with duck foot coupling

TYPE	Dimensions mm														Weight kg	
	Ø1	f	HL	hf	h1	a1	a2	d1	d2	d3	d4	L1	L2	L3		L4
GMGM 6-40E/A	40	441	283	77	106	104	104	450	297	178	392	256	138	154	272	30
GMGM 6-40D/A																
GMGM 6-40C	40	460	240	71	63	112	112	450	312	194	392	268	150	212	262	40
GMG 6-40B																
GMGM 6-40A																
GMG 6-40A	40	458	315	10	124	121	121	450	327	189	413	288	150	230	405	45
GMG 7-40E																
GMG 7-40D																
GMG 7-40C	40	517	336	10	124	121	121	450	334	189	420	295	150	230	412	60
GMG 7-40B																
GMG 7-40A																