

## GMC

Submersible pumps  
with single channel impeller



### Construction

Submersible pumps with single channel impeller.  
Twin mechanical seal with oil chamber (lip-seal motor side up to 1,4 kW).  
Delivery connection DN 50-65-80-100-150

### Applications

Suitable to pump slurry, sewage, waste water (non-corrosive).  
In industrial and residential installations and drainag applications  
Solid passage from 40 to 100mm

### Operating conditions

Liquid temperature up to 40 °C.  
Maximum immersion depth: 20 m (with suitable cable length).  
Continuous duty (with pump immersed at minimum level).

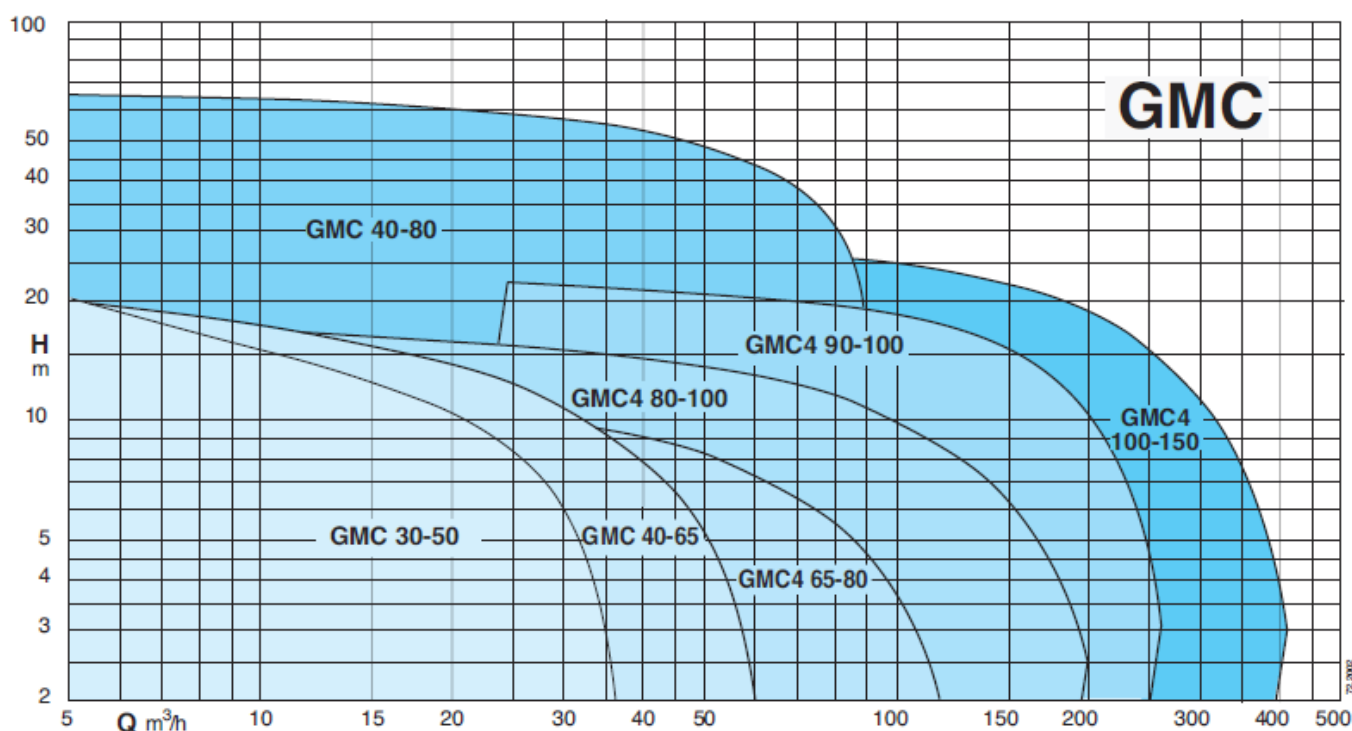
### Motor

2 or 4 poles induction, 50Hz  
Single-phase version: 230V  $\pm$  10%, with float switch and built-in capacitor.  
Three-phase version: 400V  $\pm$  10%, up to 3,2 kW  
400/690V  $\pm$  10%, over 3,2 kW  
Insulation class: H  
Protection degree: IP 68  
N° of starting x hour: max 15 with regular intervals  
Cable: H07RN-F, length 10 m  
Other models: contact our sale office

### Main materials

Pump casing: cast iron EN-GJL-250 - Impeller: cast iron EN-GJL-250+N  
Motor casing, Motor cover: cast iron EN-GJL-250  
Motor shaft: stainless steel AISI 420B  
Lip seal made of nitrile up to 1,4 kW  
Mechanical seal motor side: graphite/ceramic over 1,4 kW  
Mechanical seal pump side: silicon carbide/silicon carbide

### Coverage chart





Submersible pumps  
with single channel impeller



## Technical data

TYPE	P <sub>2</sub> kW	I <sub>N</sub> A	Power Supply	r.p.m.	Starting	DN mm	Free passage Ø mm	Thermal protector	Humidity probe	⊕ ATEX Eex
GMCM 30-50B	1,1	7,5	1~ 230V	2850	D.O.L.	50	30	●	NO	
GMC 30-50B	1,4	3	3~ 400V	2850	D.O.L.	50	30	NO	NO	
GMC 30-50A	1,4	3	3~ 400V	2850	D.O.L.	50	30	NO	NO	
GMCM 40-65B	1,8	10	1~ 230V	2850	D.O.L.	65	40	NO	NO	✓
GMC 40-65B	2,4	5	3~ 400V	2850	D.O.L.	65	40	NO	NO	✓
GMC 40-65A	2,9	6	3~ 400V	2850	D.O.L.	65	40	NO	NO	✓
GMC 40-80D	13,8	29,5	3~ 400/690V	2850	Y/Δ	80	40	●	●	✓
GMC 40-80C	13,8	29,5	3~ 400/690V	2850	Y/Δ	80	40	●	●	✓
GMC 40-80B	18,2	34	3~ 400/690V	2850	Y/Δ	80	40	●	●	✓
GMC 40-80A	18,2	34	3~ 400/690V	2850	Y/Δ	80	40	●	●	✓
GMCM 65-80C	1	7	1~ 230V	1450	D.O.L.	80	65	●	NO	✓
GMC4 65-80C	1,3	3,5	3~ 400V	1450	D.O.L.	80	65	NO	NO	✓
GMC4 65-80B	2,3	5	3~ 400V	1450	D.O.L.	80	65	NO	NO	✓
GMC4 65-80A	2,8	6,5	3~ 400V	1450	D.O.L.	80	65	NO	NO	✓
GMC4 75-80A	2,8	6,5	3~ 400V	1450	D.O.L.	80	75	NO	NO	✓
GMC4 80-100C	3,8	8	3~ 400/690V	1450	Y/Δ	100	80	●	●	✓
GMC4 80-100B	3,8	8	3~ 400/690V	1450	Y/Δ	100	80	●	●	✓
GMC4 80-100A	5	11	3~ 400/690V	1450	Y/Δ	100	80	●	●	✓
GMC4 90-100B	10,1	22	3~ 400/690V	1450	Y/Δ	100	90	●	●	✓
GMC4 90-100A	12,1	27	3~ 400/690V	1450	Y/Δ	100	90	●	●	✓
GMC4 100-150C	14,1	30	3~ 400/690V	1450	Y/Δ	150	100	●	●	✓
GMC4 100-150B/A	20,7	41,5	3~ 400/690V	1450	Y/Δ	150	100	●	●	✓
GMC4 100-150A/A	20,7	41,5	3~ 400/690V	1450	Y/Δ	150	100	●	●	✓

P<sub>2</sub> Rated power output

I<sub>N</sub> Rated current

● Standard

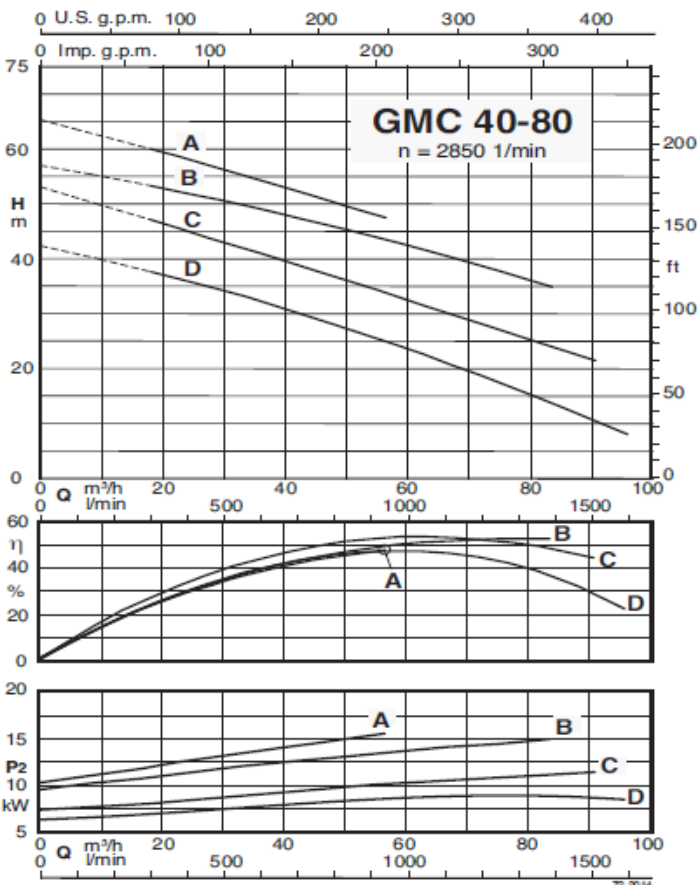
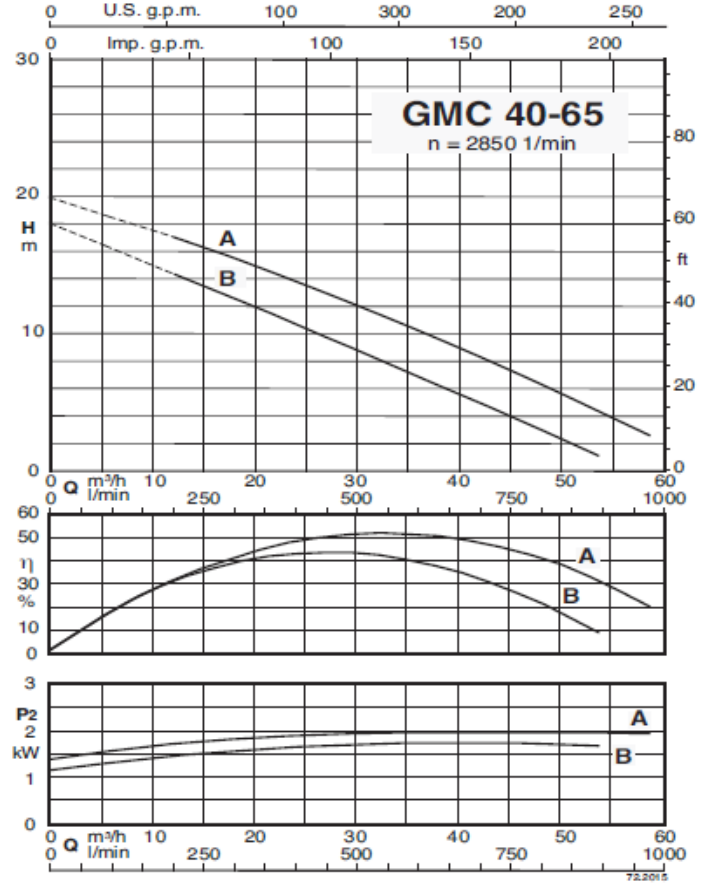
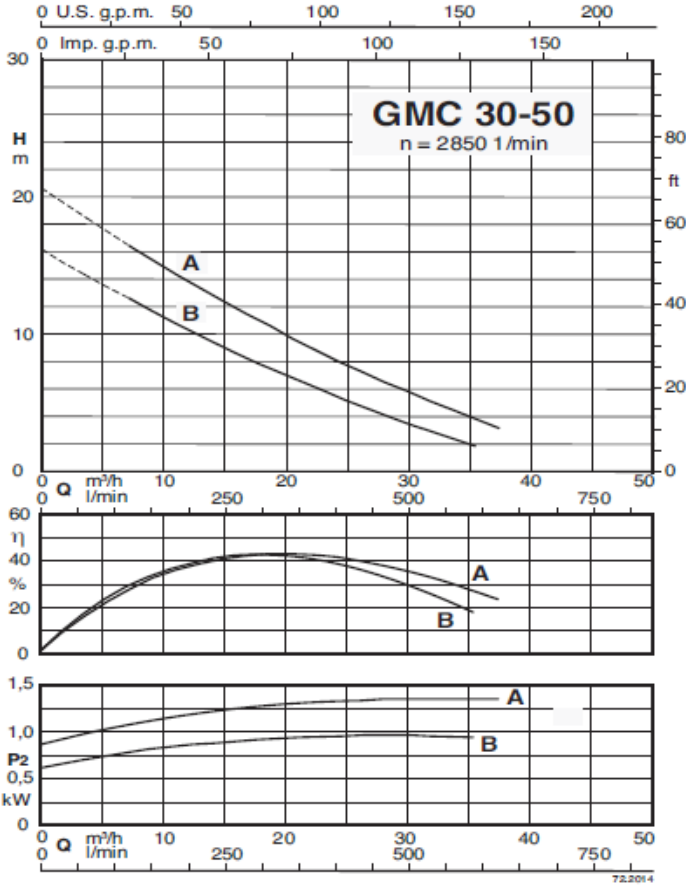
✓ ATEX Eex Version on demand



Submersible pumps  
with single channel impeller



## Characteristic curves

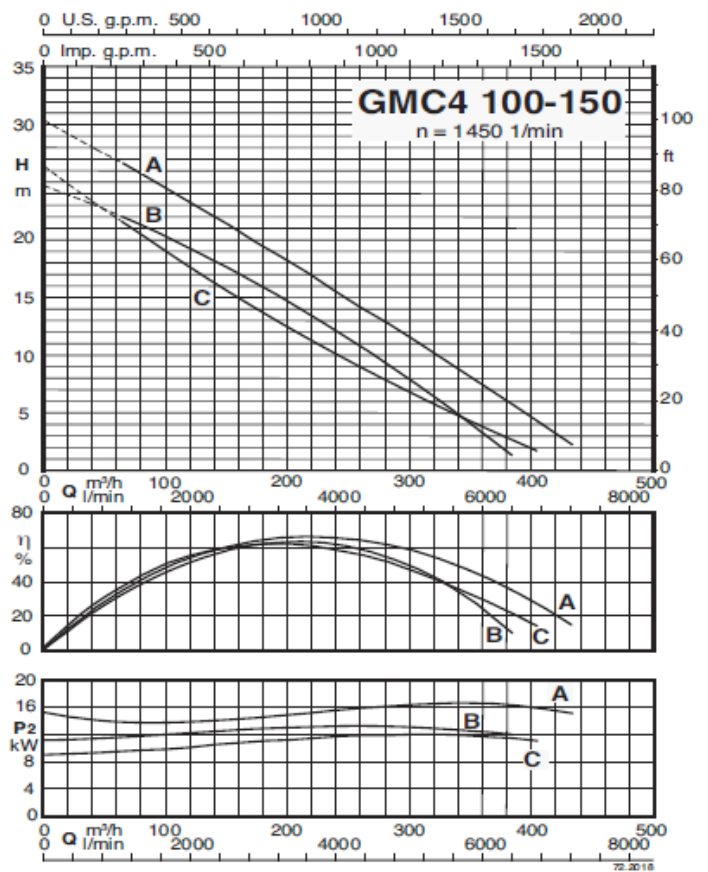
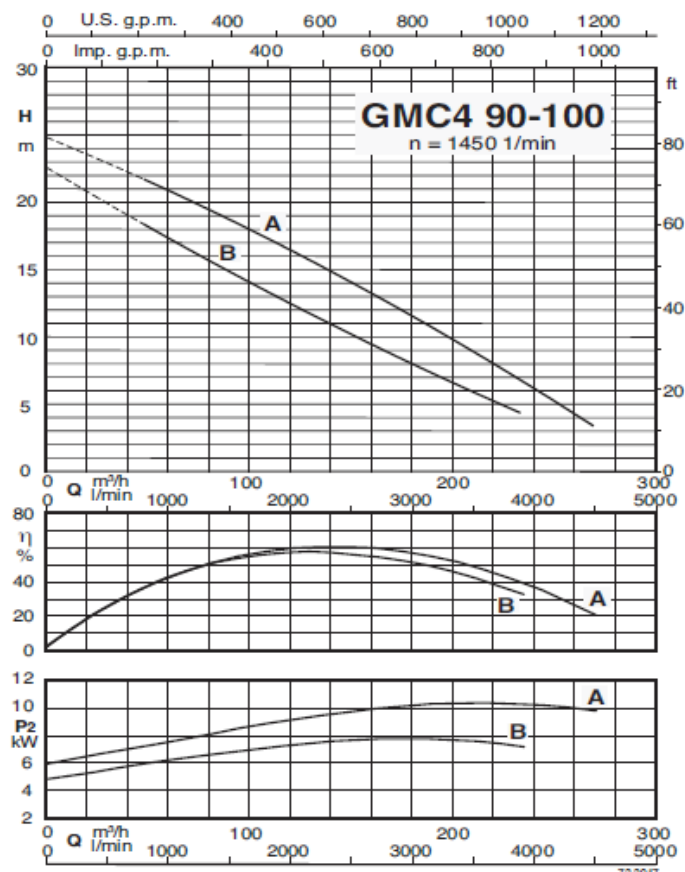
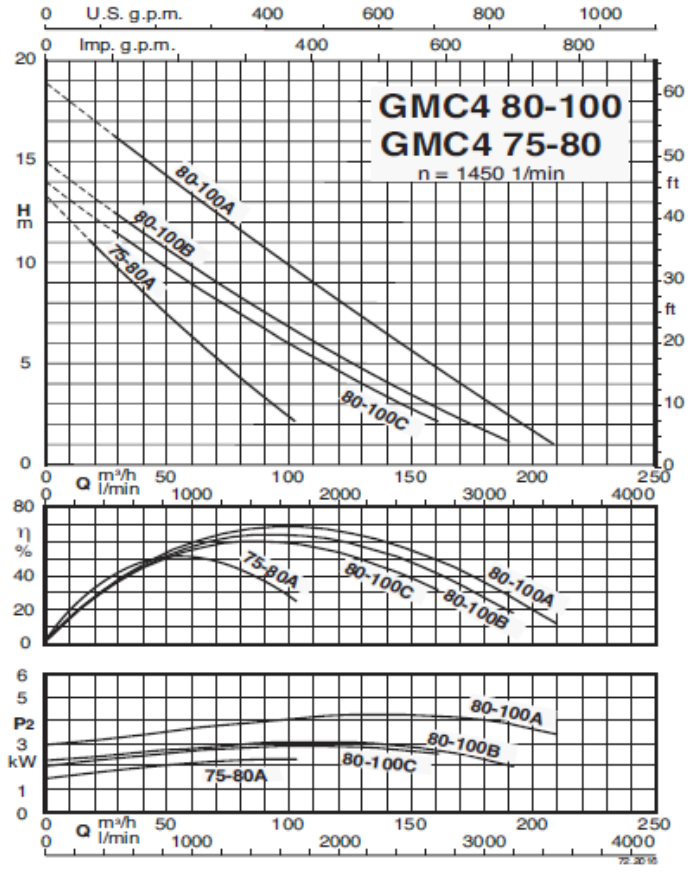
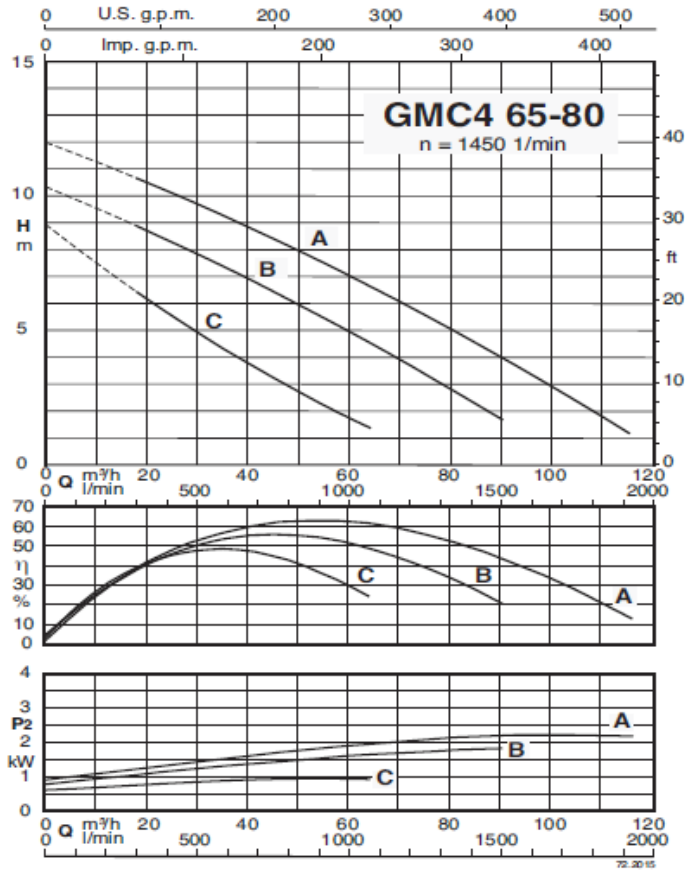




Submersible pumps  
with single channel impeller



## Characteristic curves



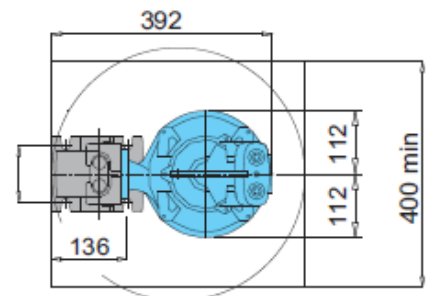
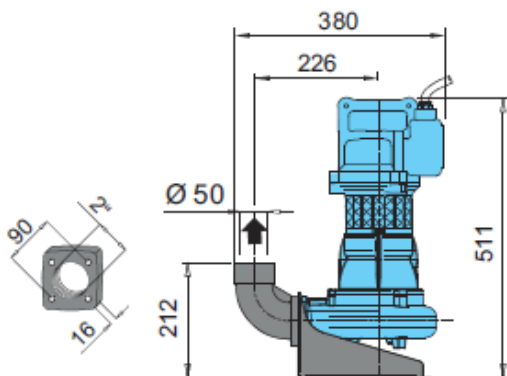
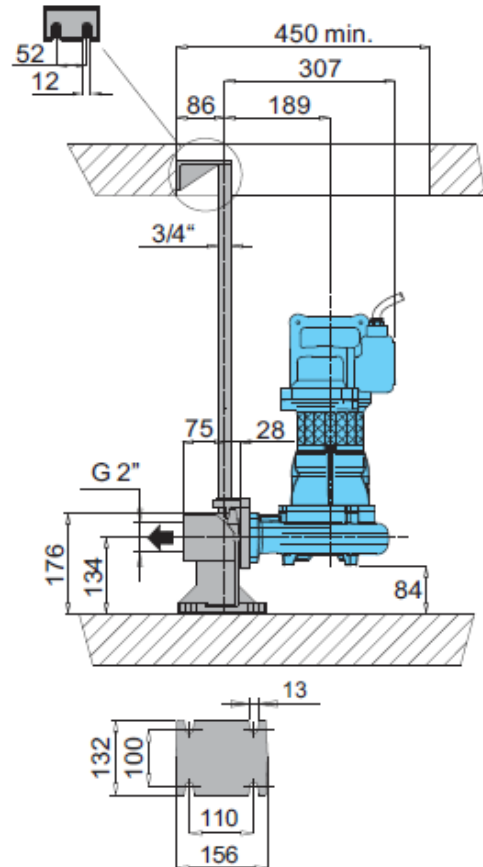
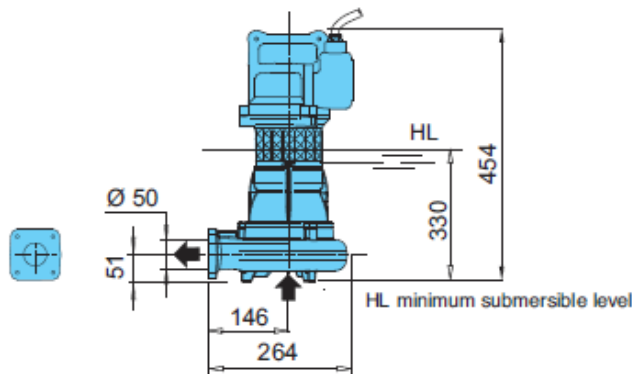


Submersible pumps  
with single channel impeller



## Dimensions and weights

### GMC 30-50



Version with foot and 90° elbow

Version with duck foot coupling

TYPE	Weight kg
GMC 30-50B	45
GMC 30-50A	
GMC 30-50A	



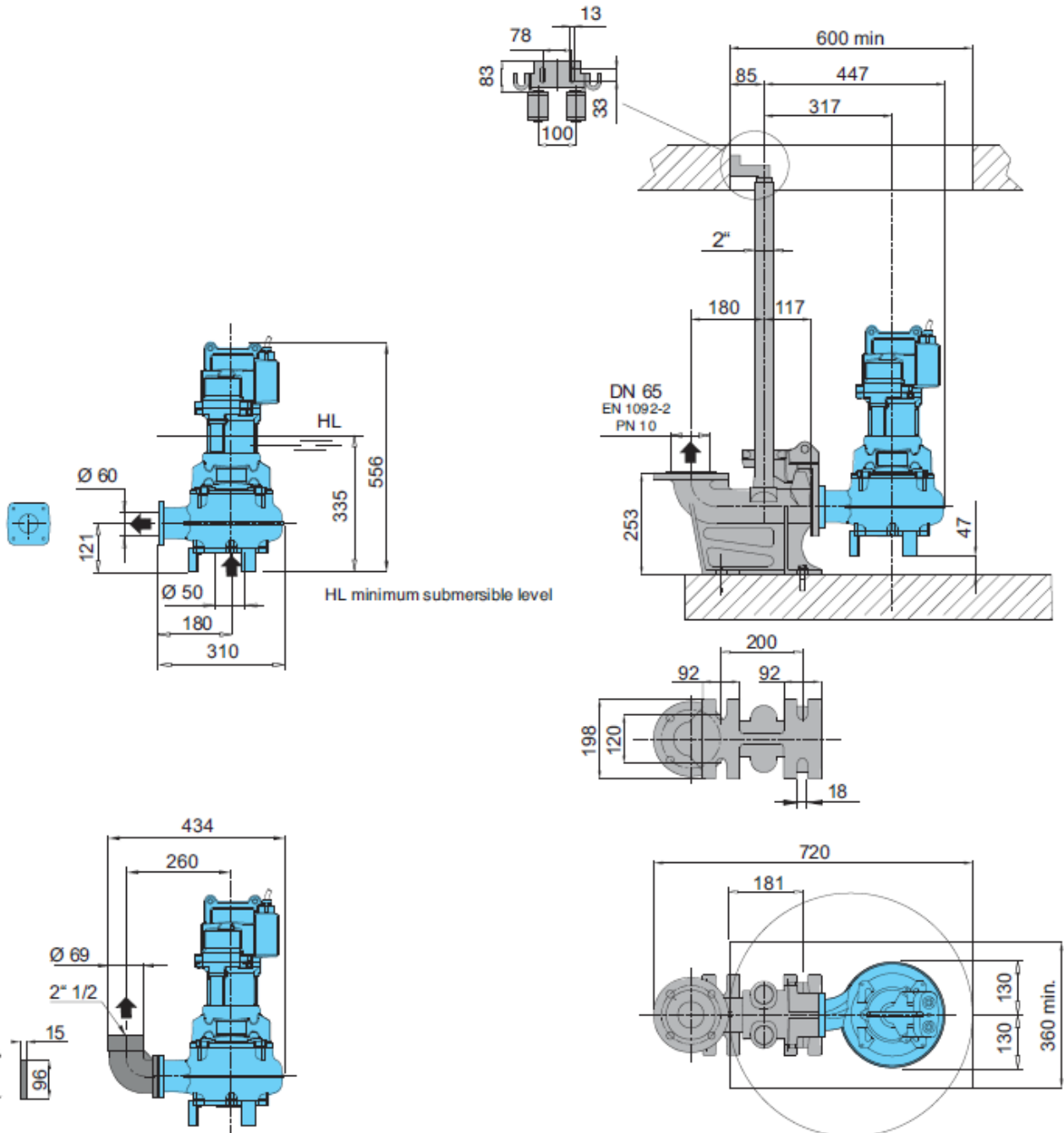


**Submersible pumps**  
with single channel impeller



## Dimensions and weights

### GMC 40-65



Version with foot and 90° elbow

Version with duck foot coupling

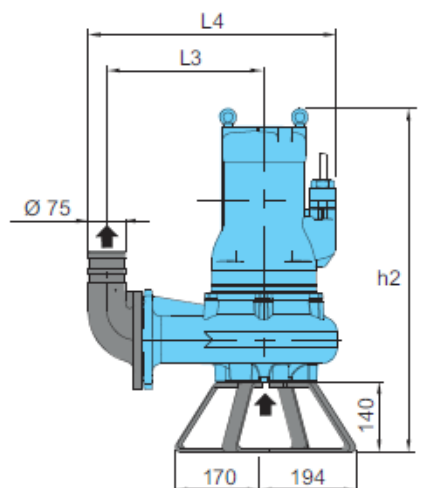
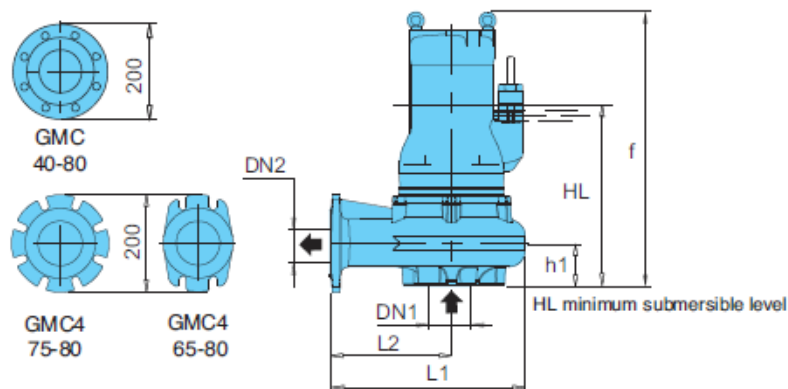
TYPE	Weight kg
GMCM 40-65B	45
GMC 40-65B	
GMC 40-65A	

**GMC** Submersible pumps  
with single channel impeller

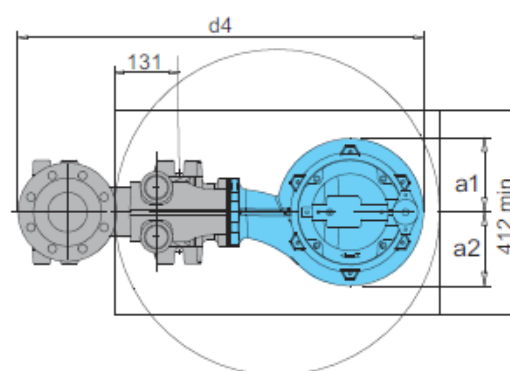
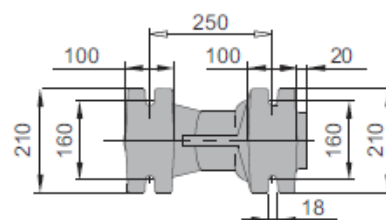
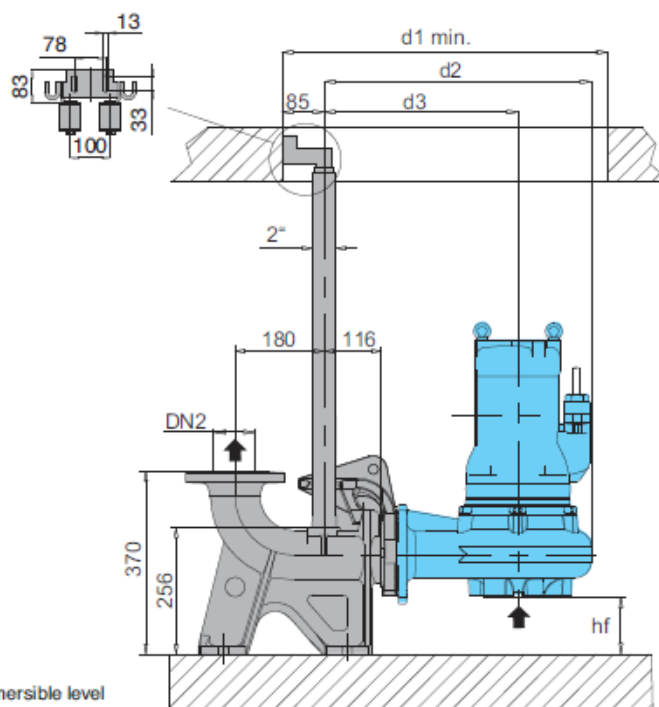


## Dimensions and weights

GMC 40-80  
GMC4M 65-80  
GMC4 65-80  
GMC4 75-80



Version with foot and 90° elbow



Version with duck foot coupling

TYPE	EN 1092-2 PN 10		Dimensions mm														Weight kg	
	DN1	DN2	f	HL	hf	h1	h2	a1	a2	d1	d2	d3	d4	L1	L2	L3		L4
GMC 40-80D	80	80	859	523	85	116	1010	168	168	750	603	416	883	437	250	323	547	190
GMC 40-80C																		
GMC 40-80B																		
GMC 40-80A																		
GMC4M 65-80C	80	80	533	330	104	84	673	132	132	658	498	366	775	332	200	273	442	45
GMC4 65-80C																		
GMC4 65-80B																		
GMC4 65-80A																		
GMC4 75-80A	80	80	516	380	80	121	656	143	169	700	548	396	828	402	250	323	512	70

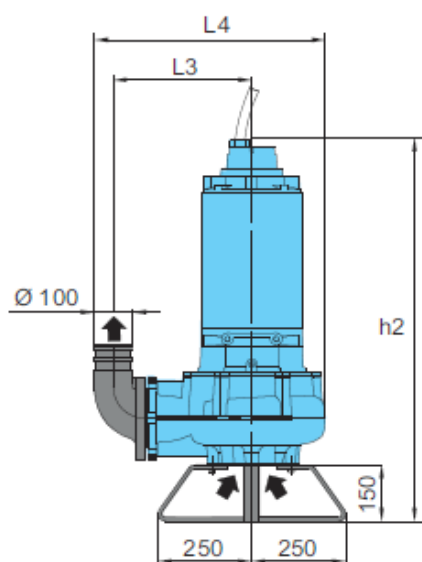
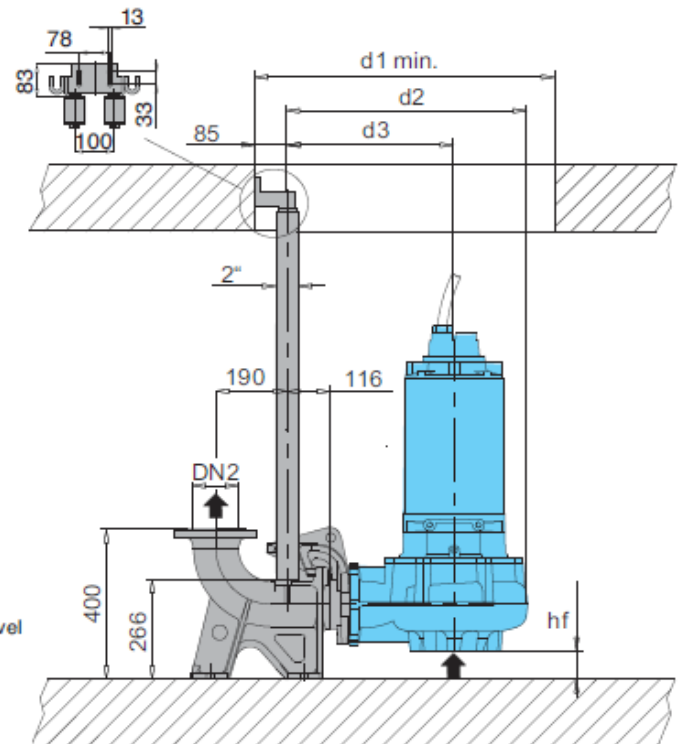
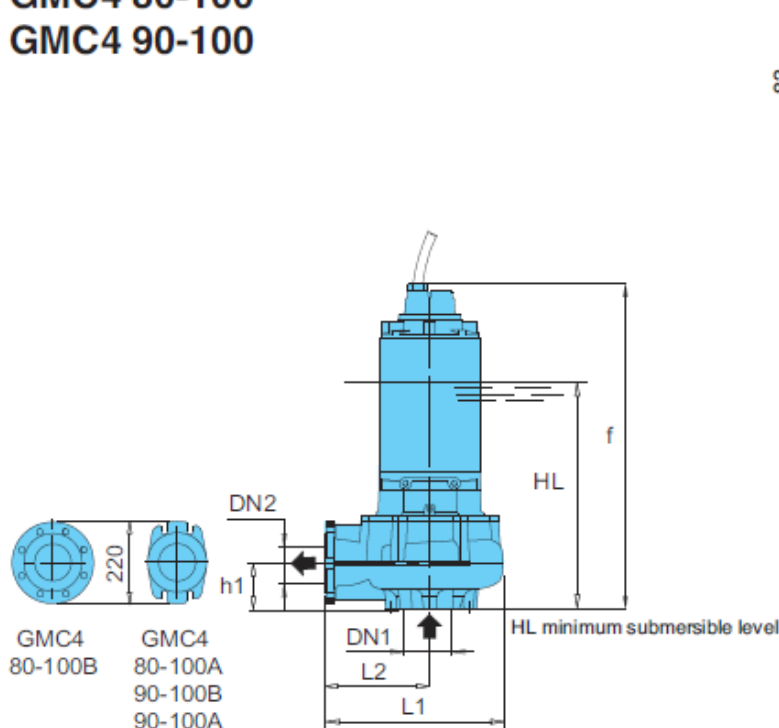


**Submersible pumps**  
with single channel impeller

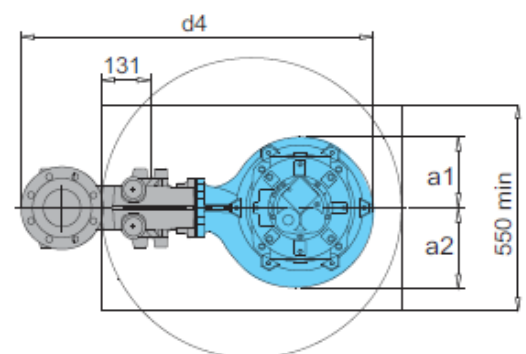
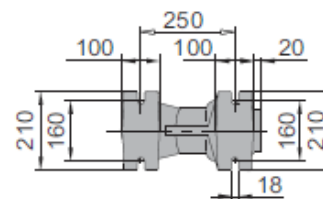


## Dimensions and weights

**GMC4 80-100**  
**GMC4 90-100**



Version with foot and 90° elbow



Version with duck foot coupling

TYPE	EN 1092-2 PN 10		Dimensions mm																Weight kg
	DN1	DN2	f	HL	hf	h1	h2	a1	a2	d1	d2	d3	d4	L1	L2	L3	L4		
GMC4 80-100C GMC4 80-100B	125	100	597	420	62	138	747	180	231	850	673	466	973	507	300	390	647	117	
GMC4 80-100A	125	100	808	520	54	147	958	189	212	800	640	445	940	474	279	369	614	161	
GMC4 90-100B GMC4 90-100A	125	100	890	570	54	147	1040	189	212	800	640	445	940	474	279	369	614	189	



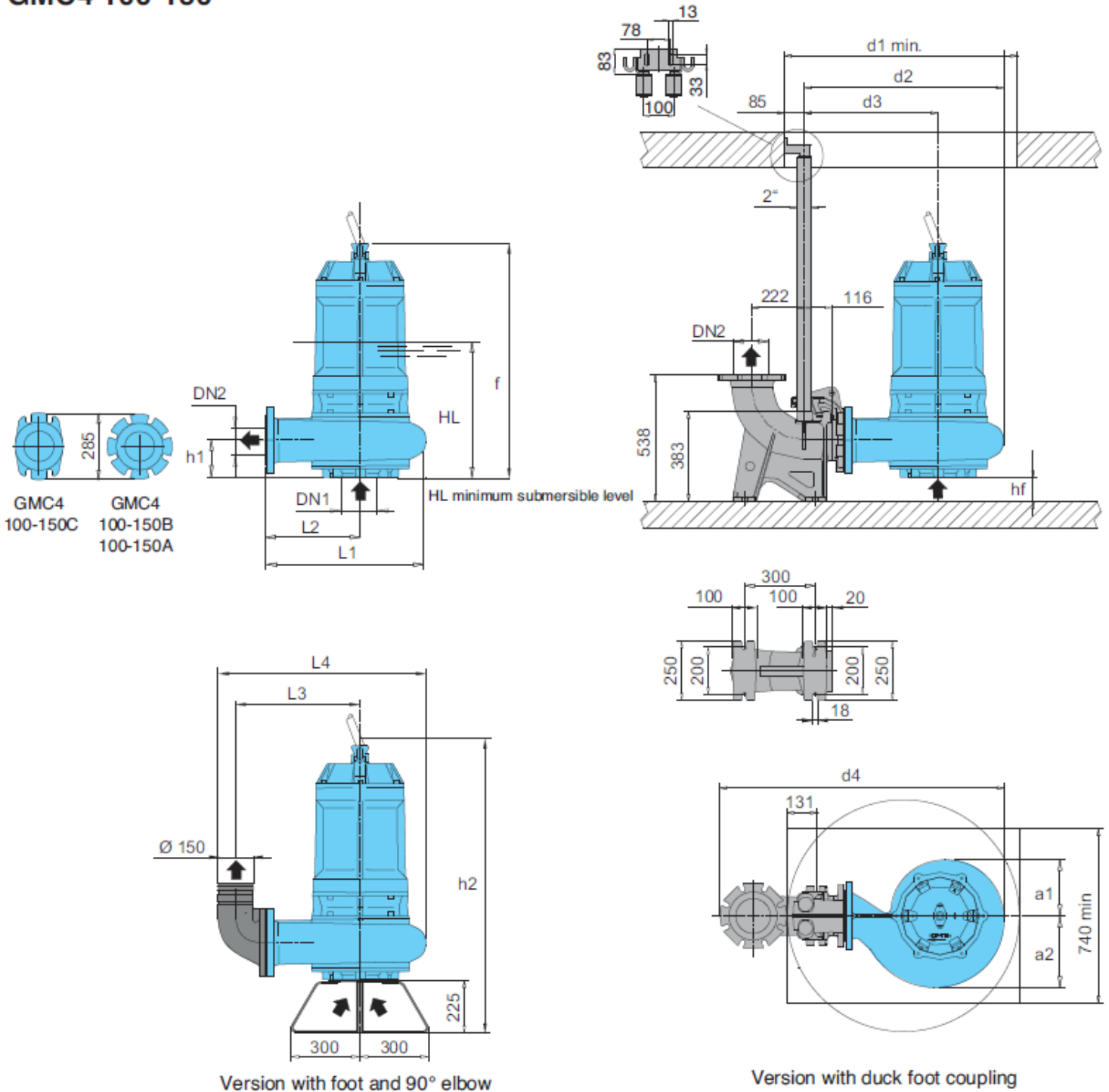


Submersible pumps  
with single channel impeller



## Dimensions and weights

### GMC4 100-150



TYPE	EN 1092-2 PN 10		Dimensions mm														Weight kg	
	DN1	DN2	f	HL	hf	h1	h2	a1	a2	d1	d2	d3	d4	L1	L2	L3		L4
GMC4 100-150C	150	150	902	580	113	147	1124	191	223	850	673	467	1038	507	301	431	712	280
GMC4 100-150B	150	150	1409	737	80	180	1630	239	304	990	840	566	1208	673	400	530	875	320
GMC4 100-150A																		