

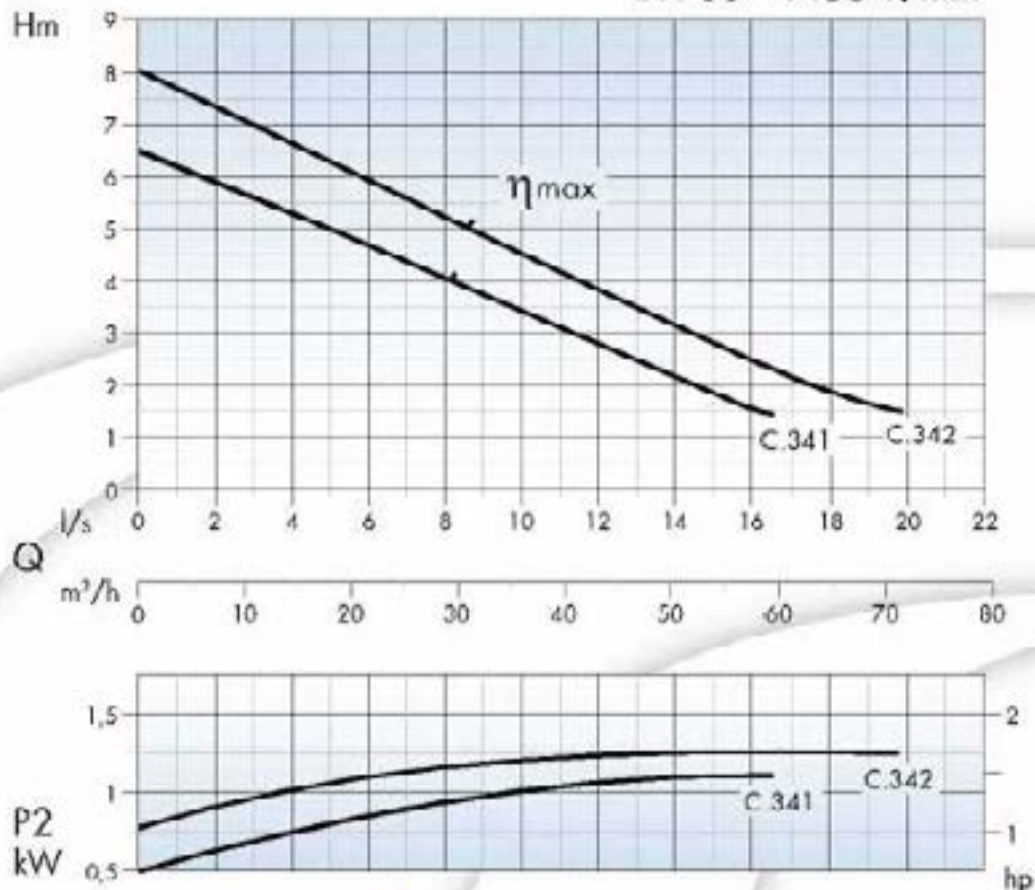


Impeller
VORTEX



Free passage
Ø 75 mm

DN 80 - 1450 1/min



Applications

Submersible Vortex type electric motor pump for high delivery operations for heavy sewage plants. For pumping of raw and waste waters, stirred sludge, raw sludge, rotten sludge, mixed waters.

Motor

Asynchronous electric 4 poles motor with squirrel-cage rotor.
Stator insulation: F - 155 °C
Protection class: IP 60

Seals

Seal type applied to the motor side: Carbon/Ceramic Ø20
Seal type applied to the wet end side:
Silicon-Carbide+Viton Ø20

Directives, Norms, Tolerances

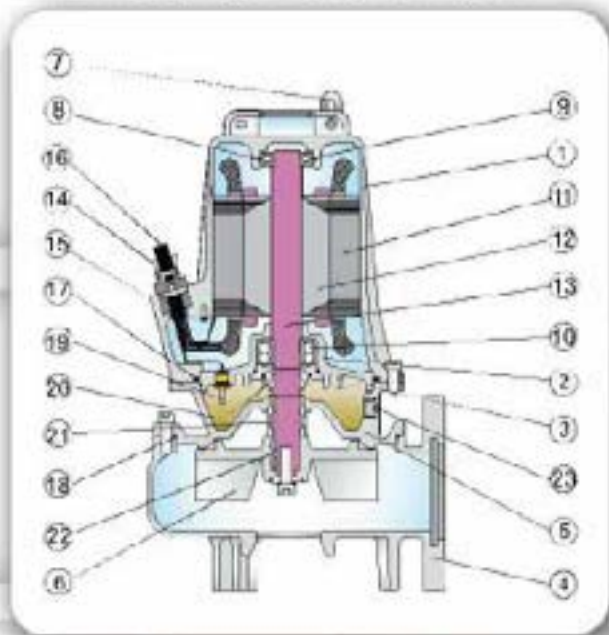
Curves as per ISO 9906, Grade 2

Specifications

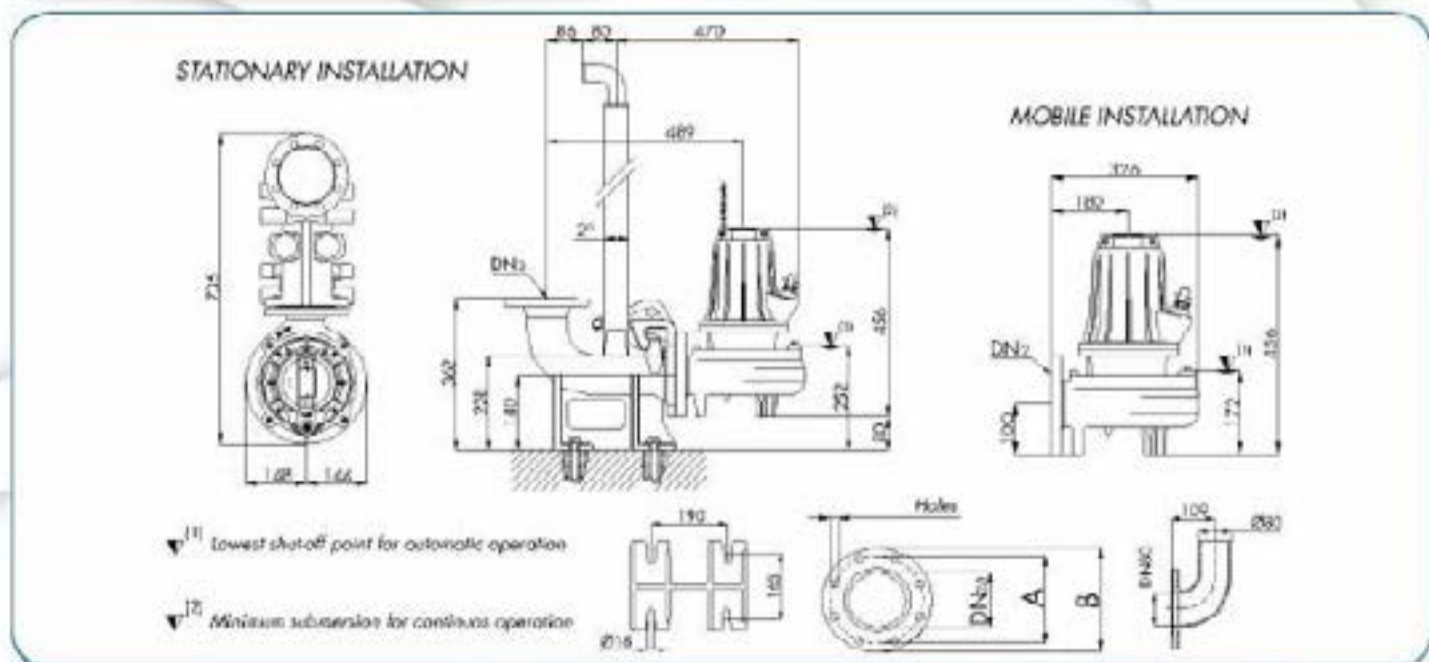
Type	a	1/s	2	4	6	8	10	12	14	16	18
		l/min	120	240	360	480	600	720	840	960	1080
		m³/h	7,2	14,4	21,6	28,8	36	43,2	50,4	57,6	64,8
VM-VT 80/4/125 C. 341	H m		6,0	5,2	4,6	4,0	3,5	2,8	2,2	1,5	
VM-VT 80/4/125 C. 342			7,4	6,5	6,0	5,25	4,5	3,8	3,2	2,5	2,0

Type	Delivery	kW		Hp	R.p.m. 1/min	Poli Poles	Hz	A			
		P1	P2					I -		cos φ	
								230 V	μ f		3 - 400 V
VM-VT 80/4/125 C. 341	Dn2 - 80	1,3	1,1	1,5	1450	4	50	7,3	45	2,8	0,88
VM-VT 80/4/125 C. 342		1,7	1,25	1,7	1450	4	50	8,7	45	3,2	0,89

VM-VT 80/4/125 C. 341-342



Descrizione Description	Materiali Materials
1 Motor casing	Cast iron G25
2 Bearing support	
3 Bearing locking ring	
4 Pump casing	Stainless steel AISI 416
5 Motor support	
6 Impeller	Nitrile rubber
7 Clasp ring	
8 O' Ring	Stainless steel AISI 420
9 Upper ball bearing	
10 Lower ball bearing	Cast iron G25
11 Screw	
12 Nut	Nitrile rubber
13 Motor shaft	
14 Cable clamp	H07RNBF
15 Cable terminal	
16 Net supply cable	Nitrile rubber
17 O' ring	
18 O' ring	Carbon/Carosin
19 Conductivity seal sensor	
20 Upper mechanical seal	
21 Lower mech. seal	Stainless steel AISI 304
22 Key	
23 Oil plug	Stainless steel AISI 304
- Bolt	



TYPE	DN1	DN2/3	A	B	HOLES	OPTIONAL
VM-VT 80/4/125 C. 341 VM-VT 80/4/125 C. 342	80	80	160	200	N° 8 Ø 16	 B5 DN 80 DN 80 - PN16

TYPE	CABLE	SENSOR	SEALS	BEARINGS	
VM-VT 80/4/125 C. 341 VM-VT 80/4/125 C. 342	1 - 230 V (1) 7x1,5 Ø 15 Control panel	3 - 400 V (1) 7x1,5 Ø 15 D.O.L. With free terminals	MT 10 Thermal probe Conductivity probe	SI YES SI YES SUP./UPPER INF./LOWER SUP./UPPER INF./LOWER	 6201 22 3204 22

TYPE	X	Y	Z	Kg
VM-VT 80/4/125 C. 341	355	580	420	46
VM-VT 80/4/125 C. 342	355	580	420	47

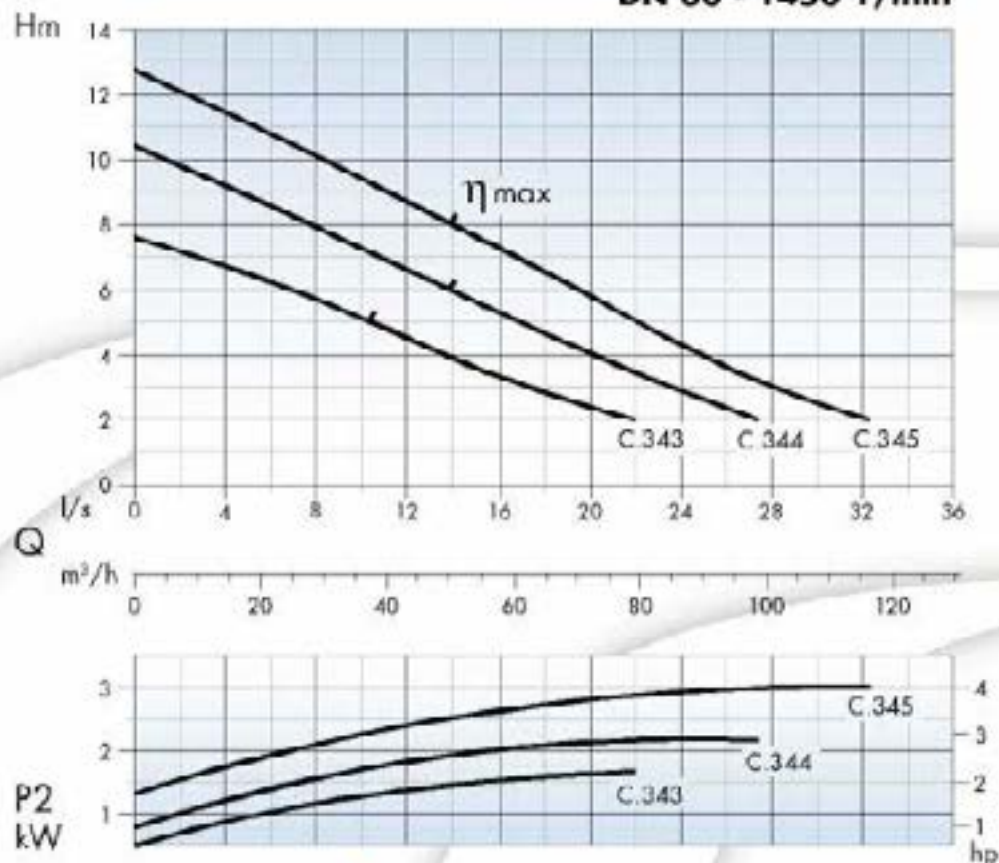


Impeller
VORTEX



Free passage
Ø 80 mm

DN 80 - 1450 1/min



Applications

Submersible Vortex type electric motor pump for high delivery operations for heavy sewage plants. For pumping of raw and waste waters, stirred sludge, raw sludge, rotten sludge, mixed waters.

Motor

Asynchronous electric 4 poles motor with squirrel-cage rotor.
Stator Insulation: F = 155 °C
Protection class: IP 68

Seals

Seal type applied to the motor side: Carbon/Ceramic Ø25
Seal type applied to the wet end side:
Silicon-Carbide+Viton Ø25

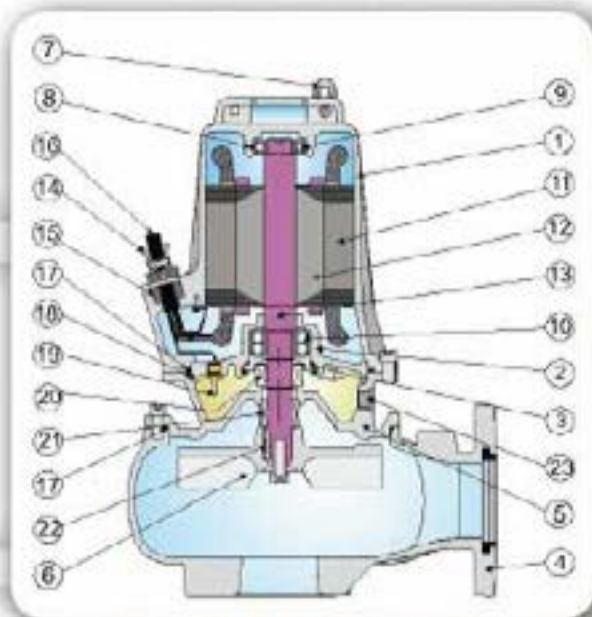
Directives, Norms, Tolerances

Curves as per ISO 9906, Grade 2

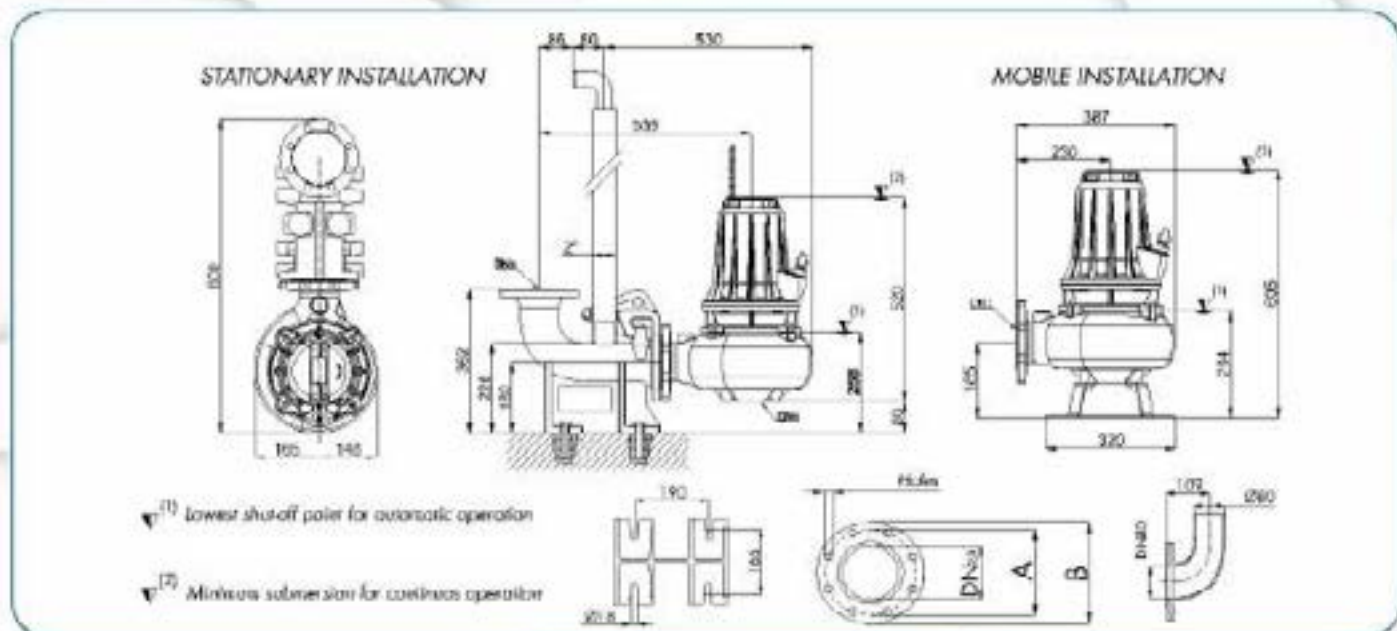
Specifications

Type	Q	l/s	2	4	6	8	12	16	20	24	28	35
		l/m	120	240	360	480	720	960	1200	1440	1680	1920
		m³/h	7,2	14,4	21,6	28,8	43,2	57,6	72	86,4	100,8	115,2
VT 80/4/152 C. 343	H m		7,0	6,8	6,2	5,8	4,5	3,3	2,5			
VT 80/4/152 C. 344			9,9	9,1	8,5	8,0	6,6	5,3	4,0	3,0		
VT 80/4/152 C. 345			12	11,5	10,8	10	8,8	7,2	5,9	4,2	3,0	2,0
Type	Delivery	kW			R.p.m.	Poles	A	Hz	cos φ			
		P1	P2	Hp								
		1/min	400V 3 -									
VT 80/4/152 C. 343	Ds2 - 80	1450	2,1	1,7	2,3	4	3,9	50	0,76			
VT 80/4/152 C. 344		1450	2,8	2,2	3	4	5,2	50	0,81			
VT 80/4/152 C. 345		1450	3,8	3	4	4	7,2	50	0,76			

VT 80/4/152 C. 343-344-345



Description	Materials
1 Motor casing	Cast iron D25
2 Bearing support	
3 Bearing locking ring	
4 Pump casing	Stainless steel Aisi 416
5 Motor support	
6 Impeller	Nitrile rubber
7 Chain ring	
8 O' Ring	Stainless steel Aisi 420
9 Upper ball bearing	
10 Lower ball bearing	Cast iron D25
11 Sinter	
12 Rotor	Nitrile rubber
13 Motor shaft	
14 Cable clamp	H07RN8F
15 Cable Grommet	
16 Net supply cable	Nitrile rubber
17 O' Ring	
18 O' Ring	Cortina/Cortina
19 Conductivity seal sensor	
20 Upper mechanical seal	E-Ton carbide + viton
21 Lower mech. seal	
22 Key	Stainless steel Aisi 304
23 OJ plug	
Bolt	Stainless steel Aisi 304



TYPE	DN1	DN2/3	A	B	HOLES		OPTIONAL			
VT 80/4/152 C. 343 VT 80/4/152 C. 344 VT 80/4/152 C. 345	80	80	160	200	N°	Ø				
					8	18	F5 DN 80	B5 DN 80	DN 80 - PN16	

TYPE	CABLE	MT	SENSOR		SEALS		BEARINGS	
VT 80/4/152 C. 343 VT 80/4/152 C. 344 VT 80/4/152 C. 345	3 - 400 V (1) 7x1,5 Ø 1,5 Ø 121 / With free terminals	10	Thermal probe	SI YES				
			Conductivity probe	SI YES	SUP./UPPER PR 25	INF./LOWER MG1525-G26	SUP./UPPER 6205 2Z	INF./LOWER 3205 2Z

TYPE	X	Y	Z	Kg
VT 80/4/152 C. 343	355	580	420	66
VT 80/4/152 C. 344	355	580	420	68
VT 80/4/152 C. 345	355	580	420	69