

VT 100/4/152 C. 348-349-350

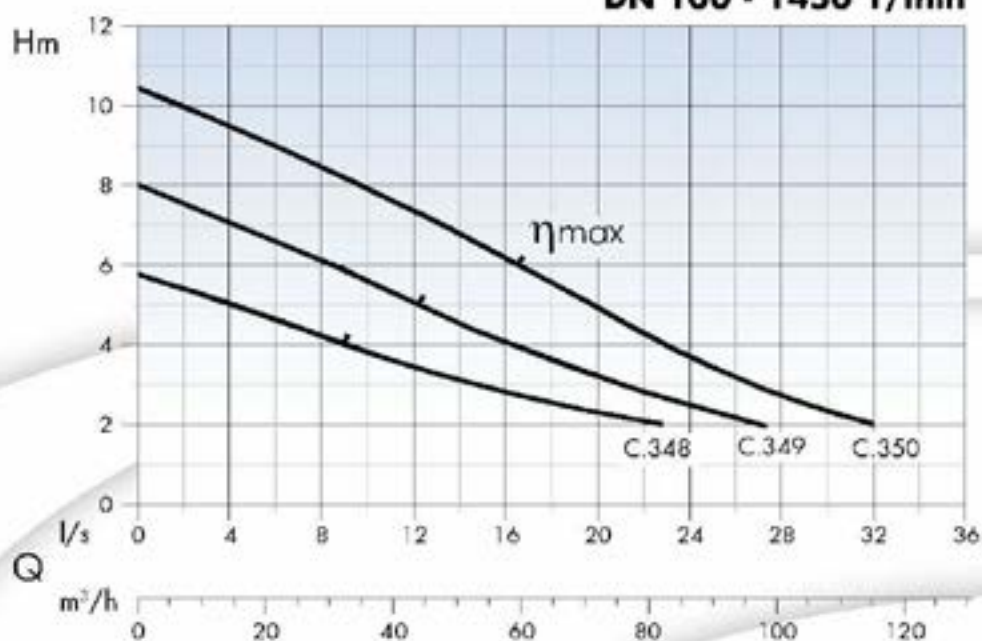


Impeller
VORTEX



Free passage
Ø 100 mm

DN 100 - 1450 1/min



Applications

Submersible Vortex type electric motor pump for high delivery operations for heavy sewage plants. For pumping of raw and waste waters, stirred sludge, raw sludge, rotten sludge, mixed waters.

Motor

Asynchronous electric 4 poles motor with squirrel-cage rotor.
Stator Insulation: F = 155 °C
Protection class: IP 68

Seals

Seal type applied to the motor side: Carbon/Ceramic Ø25
Seal type applied to the wet end side:
Silicon-Carbide+Viton Ø25

Directives, Norms, Tolerances

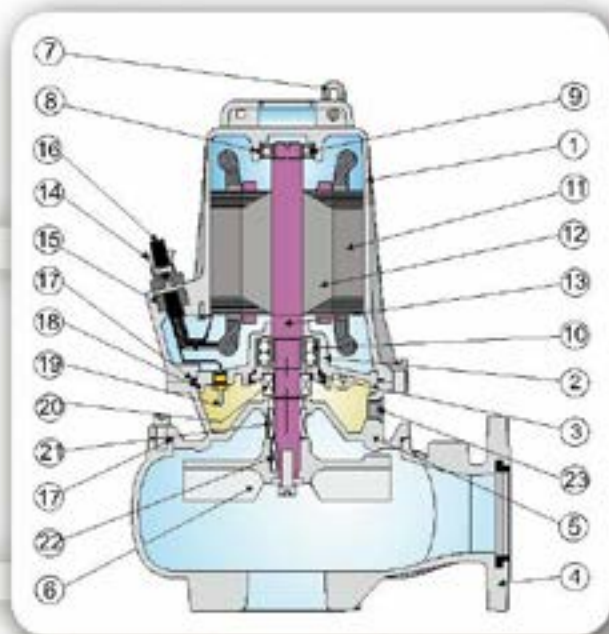
Curves as per ISO 9906, Grade 2

Specifications

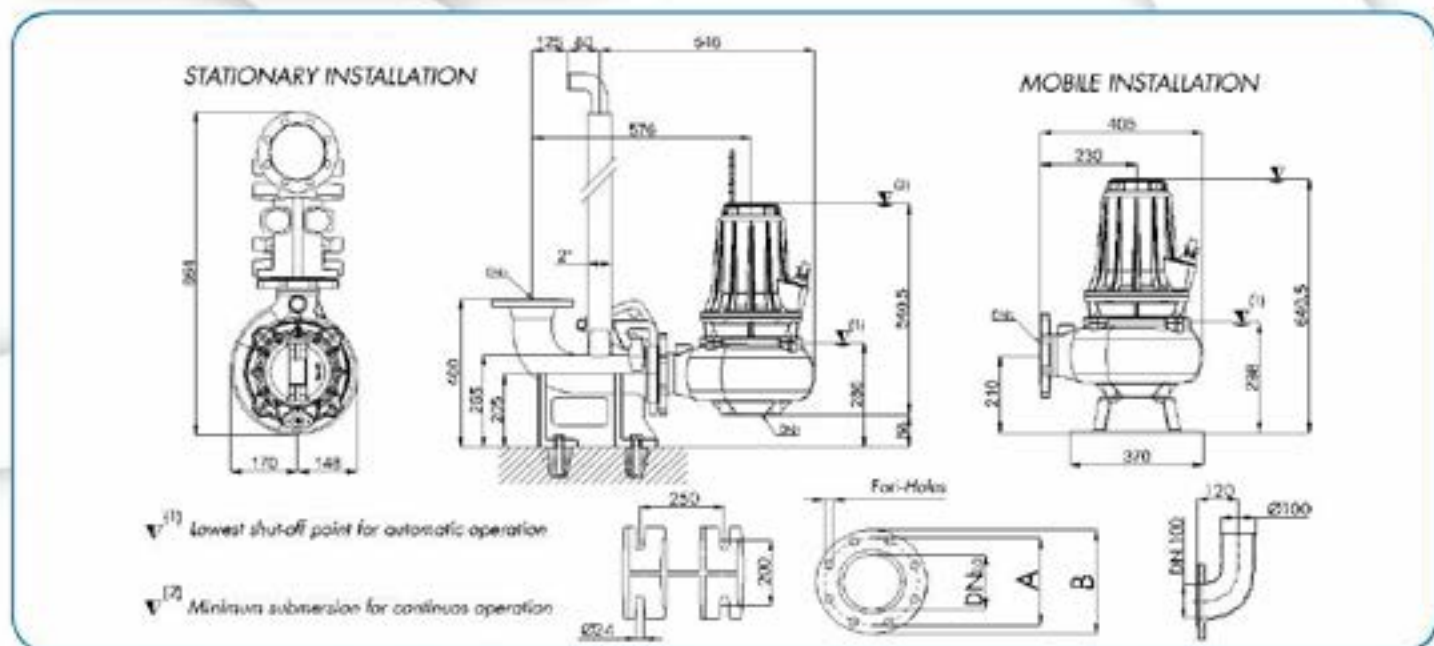
Type	Q	l/s	2	4	6	8	12	16	20	24	28	32
		l/m m³/h	120	240	360	480	720	960	1200	1440	1680	1920
VT 100/4/152 C. 348	Hm	7,2	5,5	5,0	4,5	4,2	3,5	2,9	2,2			
VT 100/4/152 C. 349		14,4	7,5	7,0	6,5	6,0	5,0	4,0	3,1	2,5		
VT 100/4/152 C. 350		21,6	10	9,5	9,0	8,5	7,4	6,1	5,0	3,8	2,8	2,0

Type	Delivery	kW			R.p.m.	Poles	A	Hz	cos φ
		P1	P2	Hp	l/min		400V 3 ~		
VT 100/4/152 C. 348	Dn2 - 100	2,1	1,7	2,3	1450	4	3,9	50	0,77
VT 100/4/152 C. 349		2,8	2,2	3	1450	4	5,2	50	0,82
VT 100/4/152 C. 350		3,8	3	4	1450	4	7,2	50	0,78

VT 100/4/152 C. 348-349-350



Description	Materials
1 Motor casing	
2 Bearing support	
3 Bearing locking ring	Cast iron G25
4 Pump casing	
5 Motor support	
6 Impeller	
7 Chain ring	Stainless steel Aisi 416
8 O' Ring	Nitrile rubber
9 Upper ball bearing	
10 Lower ball bearing	
11 Stator	
12 Rotor	
13 Motor shell	Stainless steel Aisi 420
14 Cable clamp	Cast iron G25
15 (Cable) Grommet	Nitrile rubber
16 Net supply cable	107EN8F
17 O' Ring	
18 O' Ring	Nitrile rubber
19 Conductivity seal sensor	
20 Upper mechanical seal	Carbon/Ceramic
21 Lower mech. seal	Silicon carbide + viton
22 Key	Stainless steel Aisi 304
23 Oil plug	Stainless steel Aisi 416
Bolts	Stainless steel Aisi 304



TYPE	DN ₁	DN _{2/3}	A	B	HOLES		OPTIONAL				
					N°	Ø					
VT 100/4/152 C. 348	100	100	180	220	8	18					
VT 100/4/152 C. 349											
VT 100/4/152 C. 350											

TYPE	CABLE	MT	SENSOR		SEALS		BEARINGS	
			Thermal probe	SI				
VT 100/4/152 C. 348	3 - 400 V [1] 7x1,5 Ø 15 D.O.L. / With free terminals	10	SI	YES				
VT 100/4/152 C. 349			SI	YES	SUP./UPPER	INF./LOWER	SUP./UPPER	INF./LOWER
VT 100/4/152 C. 350			SI	YES	AR 25	MG1525-025	6205 2Z	3205 2Z

TYPE	X	Y	Z	Kg
VT 100/4/152 C. 348	355	580	420	70
VT 100/4/152 C. 349	355	580	420	71
VT 100/4/152 C. 350	355	580	420	74

VT 100/4/173 C. 355-356-358

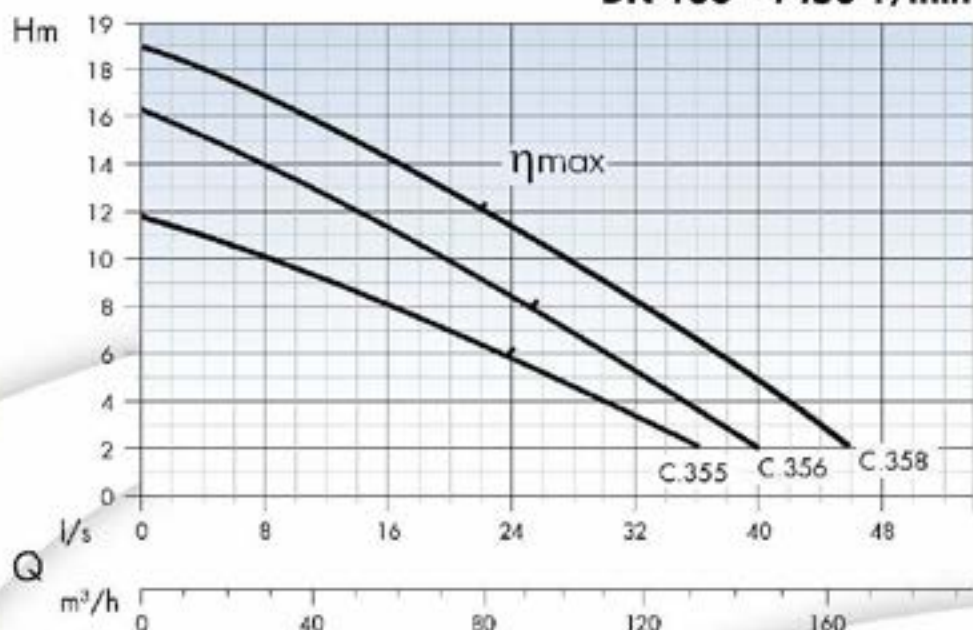


Impeller
VORTEX



Free passage
Ø 90 mm

DN 100 - 1450 1/min



Applications

Submersible Vortex type electric motor pump for high delivery operations for heavy sewage plants. For pumping of raw and waste waters, stirred sludge, raw sludge, rotten sludge, mixed waters.

Motor

Asynchronous electric 4 poles motor with squirrel-cage rotor.
Stator insulation: F = 155 °C
Protection class: IP 68

Seals

Seal type applied to the motor side: Carbon/Ceramic Ø30
Seal type applied to the wet end side:
Silicon-Carbide+Viton Ø30

Directives, Norms, Tolerances

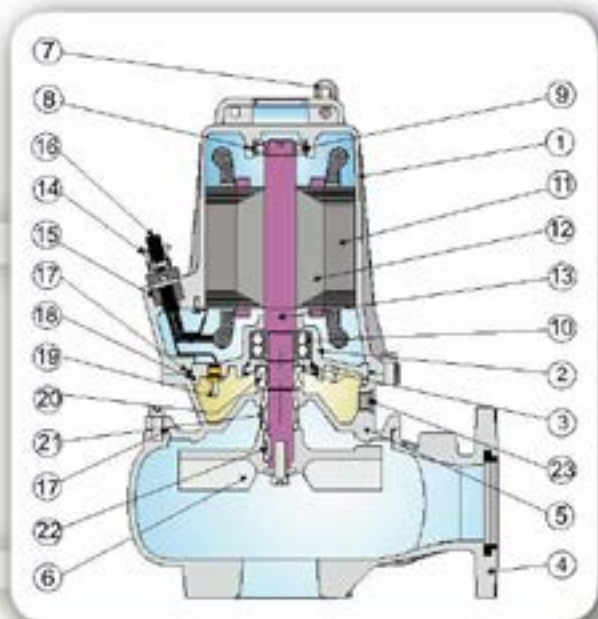
Curves as per ISO 9906, Grade 2

Specifications

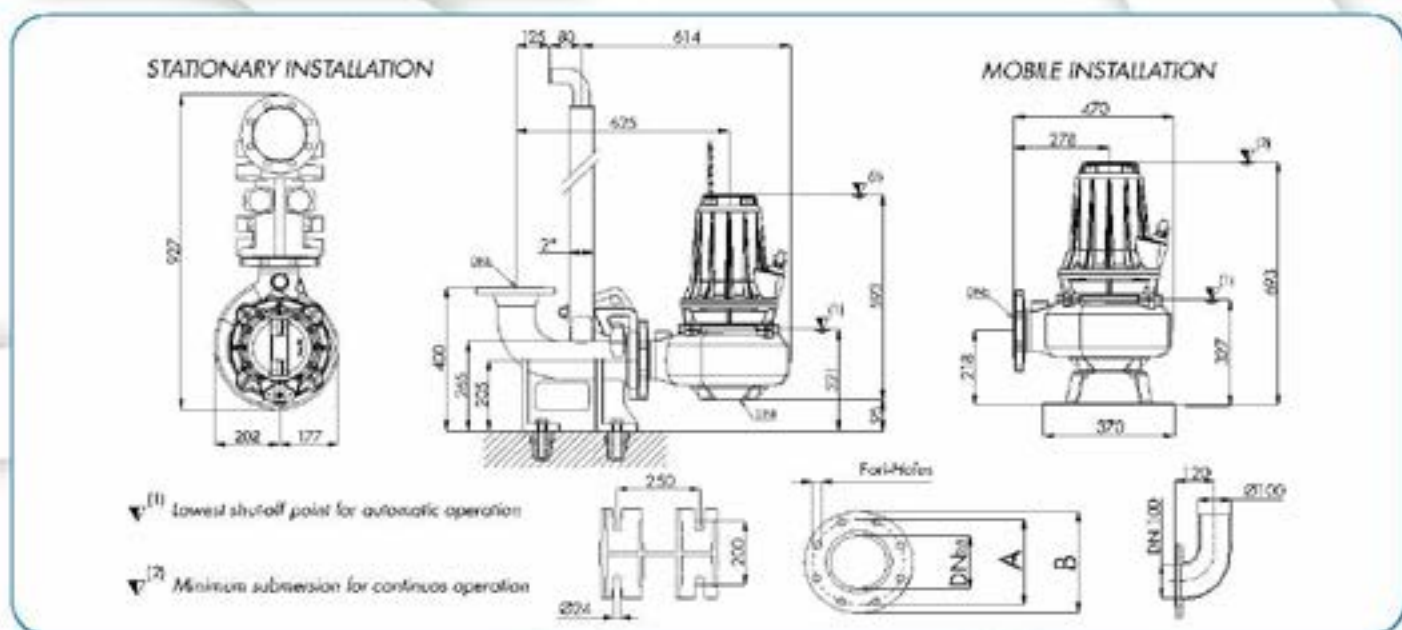
Type	Q	l/s	4	8	16	20	24	28	32	36	40	46
		l/m	240	480	960	1200	1440	1680	1920	2160	2400	2760
		m³/h	14,4	28,8	57,6	72	86,4	100,8	115,2	129,6	144,0	165,6
VT 100/4/173 C. 355	H m		11	10	8,0	7,0	5,8	4,5	3,5	2,0		
VT 100/4/173 C. 356			15	14	11,2	10	8,5	7,0	5,1	3,6	2,0	
VT 100/4/173 C. 358			18	17	14,1	13	11,2	10	8,0	6,5	5,0	2,0

Type	Delivery	kW			R.p.m.	Poles	A	Hz	cos φ
		P1	P2	Hp	l/min		400V 3 ~		
VT 100/4/173 C. 355	Dn2 - 100	5,3	4	5,5	1450	4	9,2	50	0,86
VT 100/4/173 C. 356		7,1	6	8	1450	4	12,5	50	0,84
VT 100/4/173 C. 358		8,9	7,5	10	1450	4	15,5	50	0,84

VT 100/4/173 C. 355-356-358



Description	Materials
1 Motor casing	Cast iron G25
2 Bearing support	
3 Bearing locking ring	
4 Pump casing	Stainless steel Aisi 416
5 Motor support	
6 Impeller	Nitrile rubber
7 Chain ring	
8 O' Ring	Stainless steel Aisi 420
9 Upper ball bearing	
10 Lower ball bearing	Cast iron G25
11 Stator	
12 Rotor	Nitrile rubber
13 Motor shaft	
14 Cable clamp	Carbon/Ceramic
15 (Cable) Grommet	
16 Net supply cable	Silicon carbide + viton
17 O' Ring	
18 O' Ring	Stainless steel Aisi 304
19 Conductivity seal sensor	
20 Upper mechanical seal	Stainless steel Aisi 416
21 Lower mech. seal	
22 Key	Stainless steel Aisi 304
23 Oil plug	
- Bolts	



TYPE	DN1	DN2/3	A	B	HOLES		OPTIONAL		
VT 100/4/173 C. 355 VT 100/4/173 C. 356 VT 100/4/173 C. 358	100	100	180	220	N°	Ø			
					B	18			

TYPE	CABLE	SENSOR	SEALS	BEARINGS
VT 100/4/173 C. 355 VT 100/4/173 C. 356 VT 100/4/173 C. 358	3 ~ 400 V (1) 10x1,5 Ø 20 YΔ Starting / With free terminal	MT 10	Thermal probe Conductivity probe	SI YES
			SI YES	SI YES
			SUP./UPPER AR 50	INF./LOWER MGI/30G25
			SUP./UPPER e206 2Z	INF./LOWER 5306 2Z

TYPE	X	Y	Z	Kg
VT 100/4/173 C. 355	400	620	470	95
VT 100/4/173 C. 356	400	620	470	99
VT 100/4/173 C. 358	400	620	470	125