

## GM-GT 32/2/110 C.149

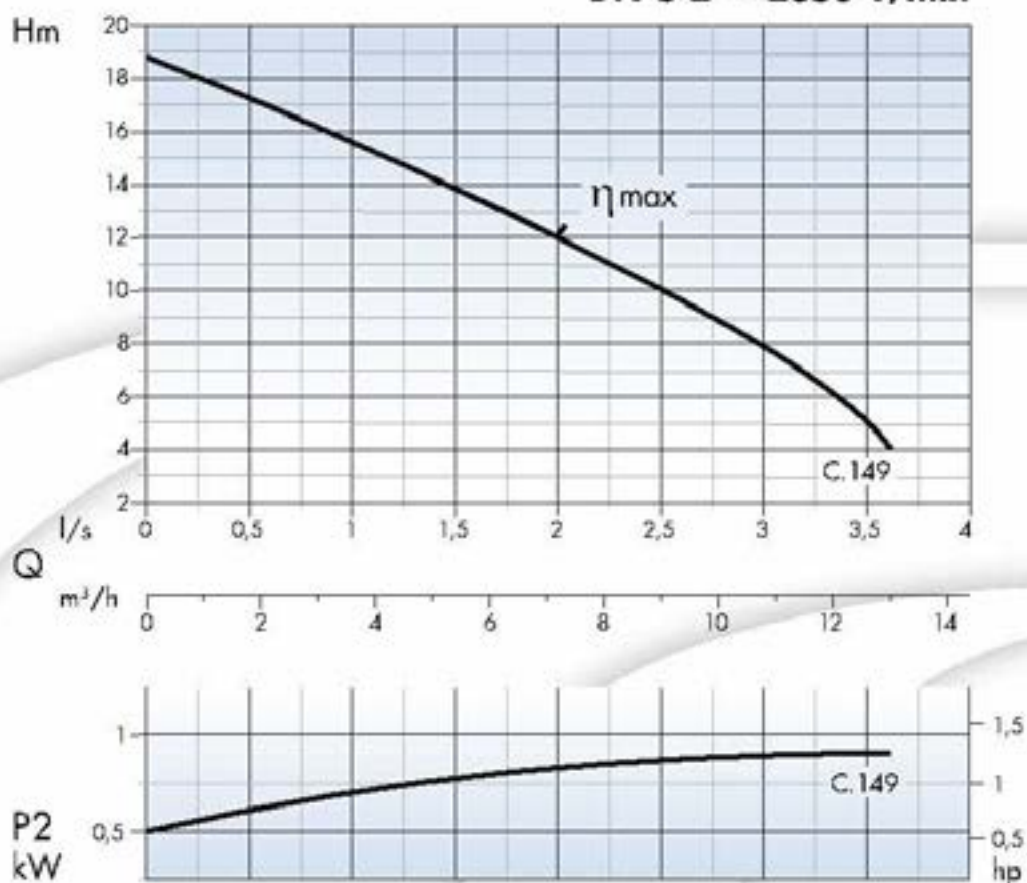


Impeller  
GRINDER



Free passage  
Ø 6 mm

DN G 2" - 2850 1/min



### Applications

Submersible electric motor pump for high head operations provided with grinder. For pumping of domestic dirty waters, waters with solids and excrements.

### Motor

Asynchronous electric 2 poles motor with squirrel-cage rotor.  
Stator insulation: F = 155 °C  
Protection class: IP 68

### Seals

Seal type applied to the motor side: lip seal  
Seal type applied to the wet end side:  
Silicon-Carbide+Viton Ø14

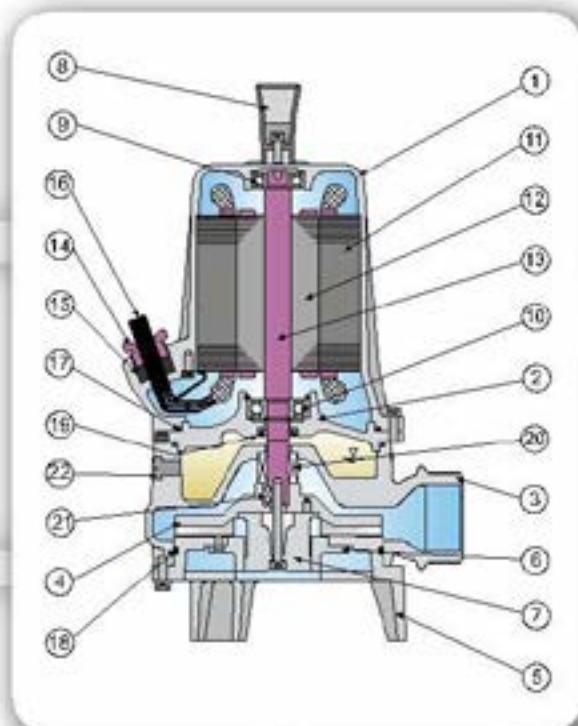
### Directives, Norms, Tolerances

Curves as per ISO 9906, Grade 2

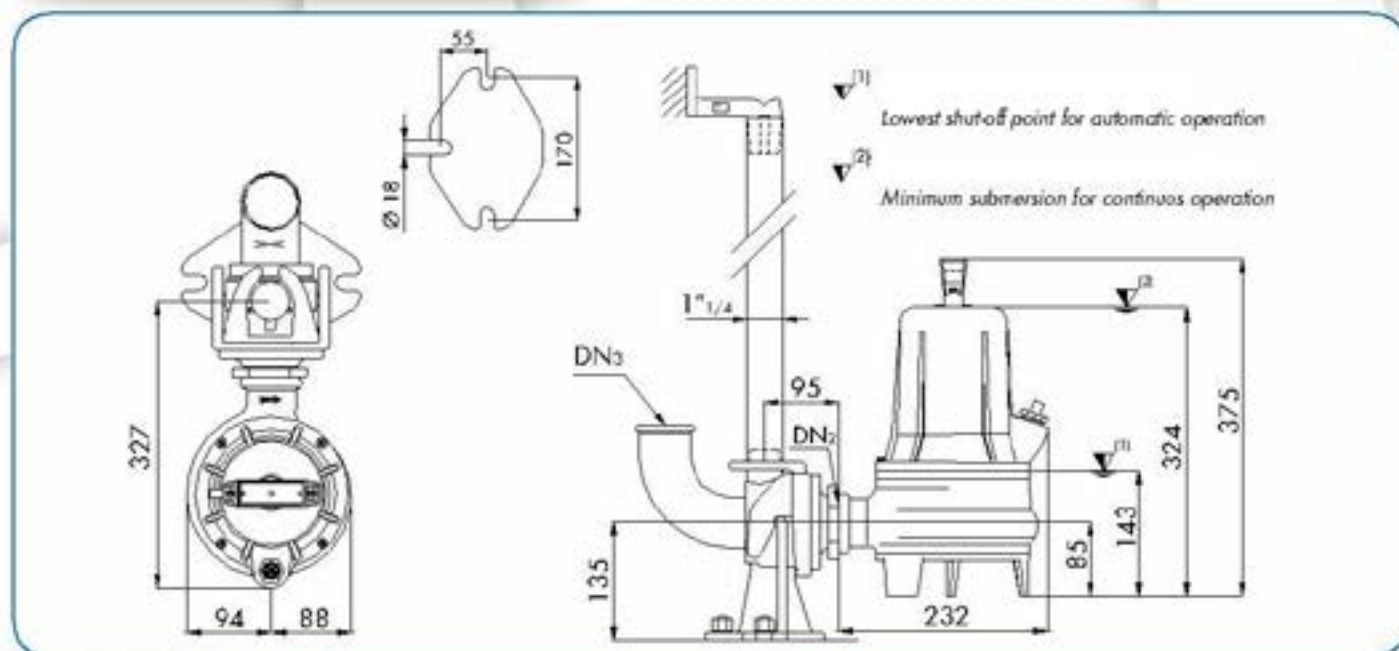
### Specifications

Type	Q	l/s	0,25	0,5	1	1,5	2	2,5	3	3,5	3,75
		l/m	15	30	60	90	120	150	180	210	225
		m <sup>3</sup> /h	0,9	1,8	3,6	5,4	7,2	9	10,8	12,6	13,5
GMGT 32/2/110 C.149	H m		18	17	15,5	14	12	10	8,0	5,0	
Type	Delivery	kW		R.p.m.		Poles	Λ				
		P1	P2	Hp	1/min		Hz	1 ~ 230 V	3 ~ 400 V		
GMGT 32/2/110 C.149	Dn2 - G 2"	1,3	0,9	1,2	2850	2	50	6	25	2,5	

## GM-GT 32/2/110 C.149



Description	Materials
1 Motor casing	Cast iron G20
2 Bearing support	
3 Pump casing	
4 Impeller	Stainless steel Aisi 416
5 Tripod support	
6 Fixed cutting part	Stainless steel Aisi 416
7 Rotating cutting part	
8 Manica - Handle	Fibrid nylon
9 Upper ball bearing	
10 Lower ball bearing	
11 Stator	
12 Rotor	
13 Motor shaft	Stainless steel Aisi 420
14 Cable clamp	Stainless steel Aisi 416
15 (Cable) Grommet	Nitrile rubber
16 Net supply cable	H07RNBF
17 O' Ring	
18 O' Ring	
19 Lip seal	Nitrile rubber
20 Lower mech. seal	Silicon carbide + viton
21 Key	Stainless steel Aisi 304
22 Oil plug	Stainless steel Aisi 416
bolts	Stainless steel Aisi 304



TYPE	DN <sub>2</sub>	DN <sub>3</sub>	CABLE	OPTIONAL	SEALS	BEARINGS
GM 32/2/110 C.149 GT 32/2/110 C.149	G 2"	2"	1 - 230 V {1} 4x1,5+2x0,5 Ø 12 Pannello di controllo Control panel	3 - 400 V {1} 4x1,5+2x0,5 Ø 12  D.O.L. with free terminals	MT  10  Tipo: B3 Type: B3	 SUP./UPPER SC 15-266 INF./LOWER MG152/14-G1 SUP./UPPER 6302 22 INF./LOWER 6202 22

TYPE	X	Y	Z	Kg
GM 32/2/110 C.149 GT 32/2/110 C.149	220	440	260	25

## GM-GT 32/2/125 C.150-155-160

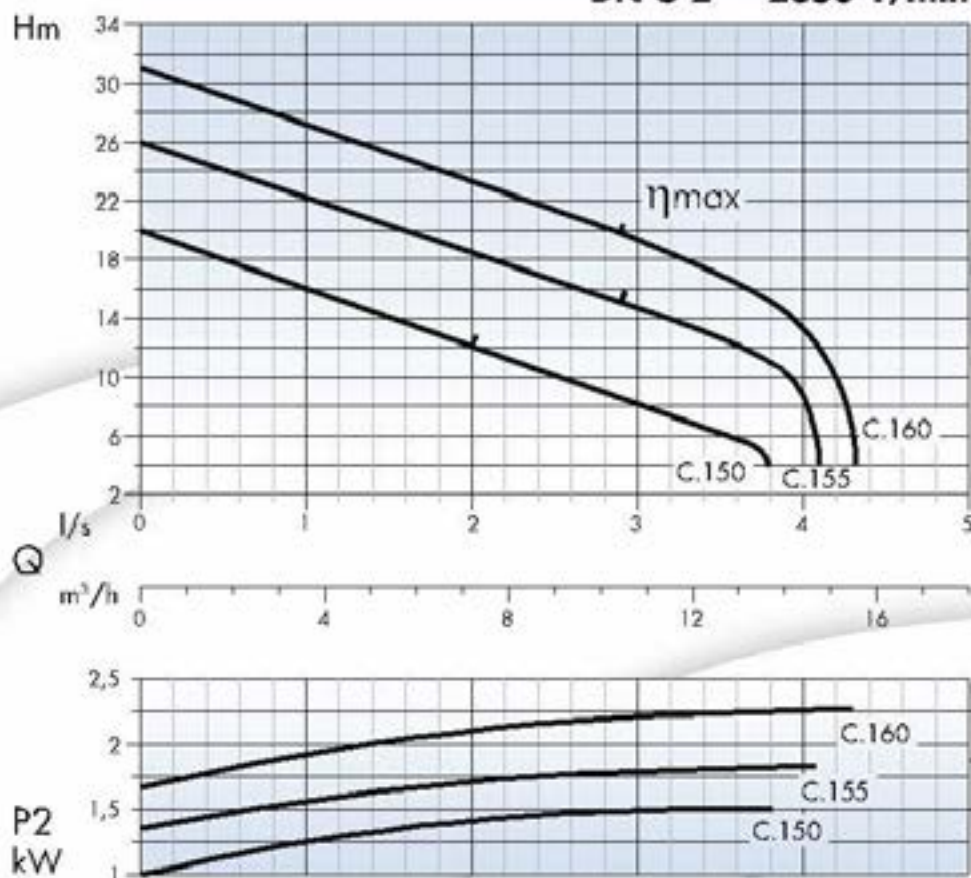


Impeller  
GRINDER



Free passage  
Ø 6 mm

DN G 2" - 2850 1/min



### Applications

Submersible electric motor pump for high head operations provided with grinder. For pumping of domestic dirty waters, waters with solids and excrements.

### Motor

Asynchronous electric 2 poles motor with squirrel-cage rotor. Stator insulation: F = 155 °C Protection class: IP 68

### Seals

Seal type applied to the motor side: Carbon/Ceramic Ø20 Seal type applied to the wet end side: Silicon-Carbide+Viton Ø20

### Directives, Norms, Tolerances

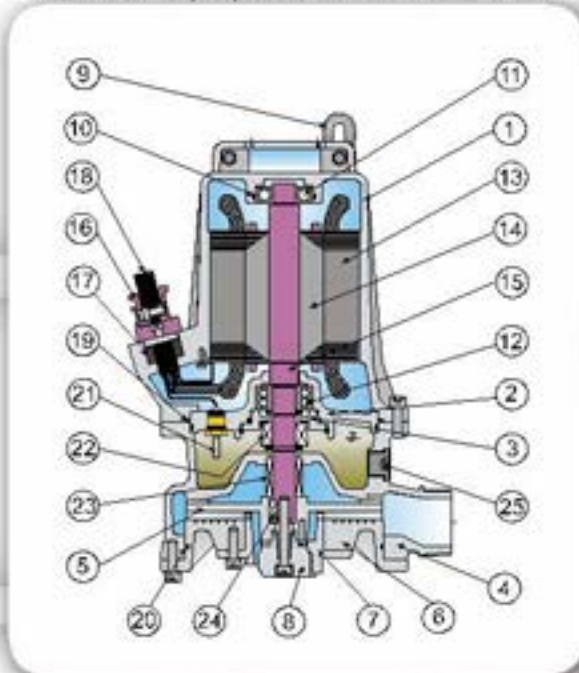
Curves as per ISO 9906, Grade 2

### Specifications

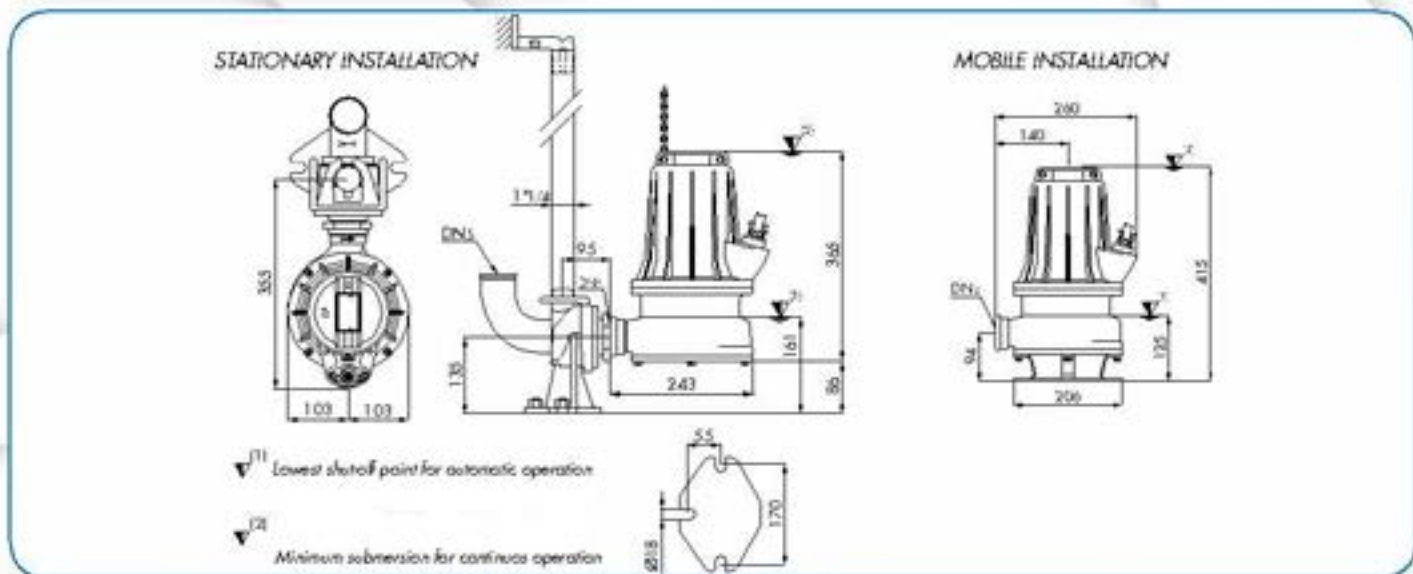
Type	Q	l/s	0,5	1	1,5	2	2,5	3	3,5	4	4,3
		l/m	30	60	90	120	150	180	210	240	258
		m³/h	1,8	3,6	5,4	7,2	9	10,8	12,6	14,4	15,5
GMGT 32/2/125 C.150	H m		18	16	14	12	10	8,0	6,0		
GMGT 32/2/125 C.155			24	22	20	18,5	16,5	15	13	8,0	
GMGT 32/2/125 C.160			29	27	25	23,5	21,5	19,5	17	13	4,0

Type	Delivery	kW			R.p.m. 1/min	Poli Poles	Hz	A		
		P1	P2	Hp				1 ~ 230 V	µf	3 ~ 400 V
GMGT 32/2/125 C.150	Dn2 - G 2"	2,1	1,5	2	2850	2	50	8,9	35	3
GMGT 32/2/125 C.155		2,6	1,7	2,5	2850	2	50	11	45	4,2
GMGT 32/2/125 C.160		3,4	2,3	3	2850	2	50	13	55	5

## GM-GT 32/2/125 C.150-155-160



Description	Materials
1 Motor casing	
2 Bearing support	
3 Bearing locking ring	Cast iron G25
4 Pump casing	
5 Impeller	
6 Closing cover	
7 Fixed cutting part	
8 Rotating cutting part	Stainless steel Aisi 416
9 Chain ring	Stainless steel Aisi 416
10 O' Ring	Nitrilic rubber
11 Upper ball bearing	
12 Lower ball bearing	
13 Stator	
14 Rotor	
15 Motor shaft	Stainless steel Aisi 420
16 Cable Clamp	Cast iron G25
17 (Cable) Grommet	Nitrilic rubber
18 Net supply cable	H07RNF
19 O' Ring	Nitrilic rubber
20 O' Ring	
21 Conductivity seal sensor	
22 Upper mech. seal	Carbon/Ceramic
23 lower mech. seal	Silicon carbide + vitan
24	Stainless steel Aisi 304
25 Oil plug	Stainless steel Aisi 416
	Both
	Stainless steel Aisi 304



TYPE	DN <sub>2</sub>	DN <sub>3</sub>	OPTIONAL	
GM/GT 32/2/125 C.150 GM/GT 32/2/125 C.155 GM/GT 32/2/125 C.160	2"	2"		

TYPE	CABLE	SENSOR	SEALS	BEARINGS
GM/GT 32/2/125 C.150 GM/GT 32/2/125 C.155 GM/GT 32/2/125 C.160	1 - 230 V 3 - 400 V {1} 7x1,5 Ø 15 Control panel D.O.L. With free terminals	MT Thermal probe 10 Conductivity probe	SI YES SI YES SUP./UPPER AR 20 INF./LOWER MG1520/20G25	 SUP./UPPER 6204 2Z INF./LOWER 3204 2Z

TYPE	X	Y	Z	Kg
GM/GT 32/2/125 C.150	295	460	310	38
GM/GT 32/2/125 C.155	295	460	310	37,5
GM/GT 32/2/125 C.160	295	460	310	40