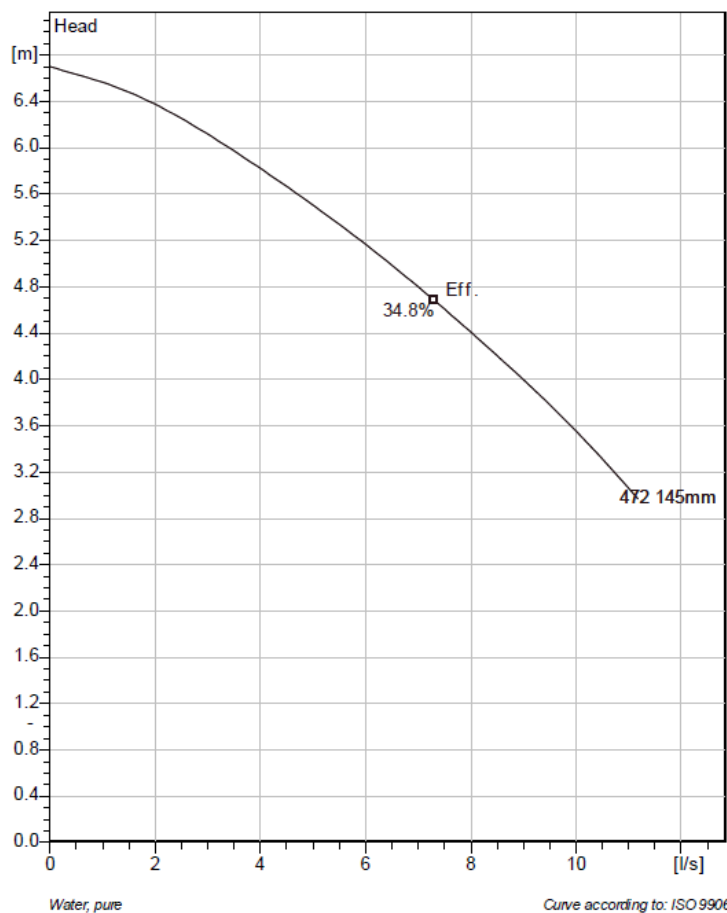




DP 3068 MT 1~ 472

Technical specification



Note: Picture might not correspond to the current configuration.

General

Portable pumps with vortex impellers ideal for applications in which the water or liquid contains concentrations of abrasives when clogging problems can occur.

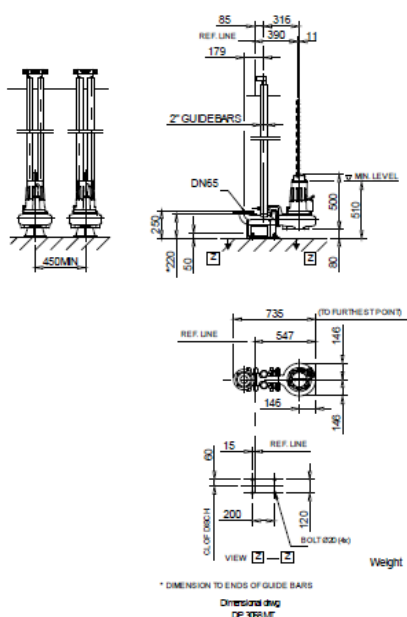
Impeller

Impeller material	Grey cast iron
Outlet width	65 mm
Inlet diameter	65 mm
Impeller diameter	145 mm
Number of blades	6
Throughlet diameter	65 mm

Motor

Motor #	D3068.180 13-10-4BB-W 1.3KW
Stator variant	1
Frequency	50 Hz
Rated voltage	220 V
Number of poles	4
Phases	1~
Rated power	1.3 kW
Rated current	8.7 A
Starting current	26 A
Rated speed	1390 1/min
Power factor	
1/1 Load	1.00
3/4 Load	1.00
1/2 Load	1.00
Efficiency	
1/1 Load	68.0 %
3/4 Load	68.0 %
1/2 Load	61.0 %

Installation: P - Semi permanent, Wet



Configuration

Project	Project ID	Created by	Created on	Last update
			2014-04-11	



DP 3068 MT 1~ 472

Performance curve

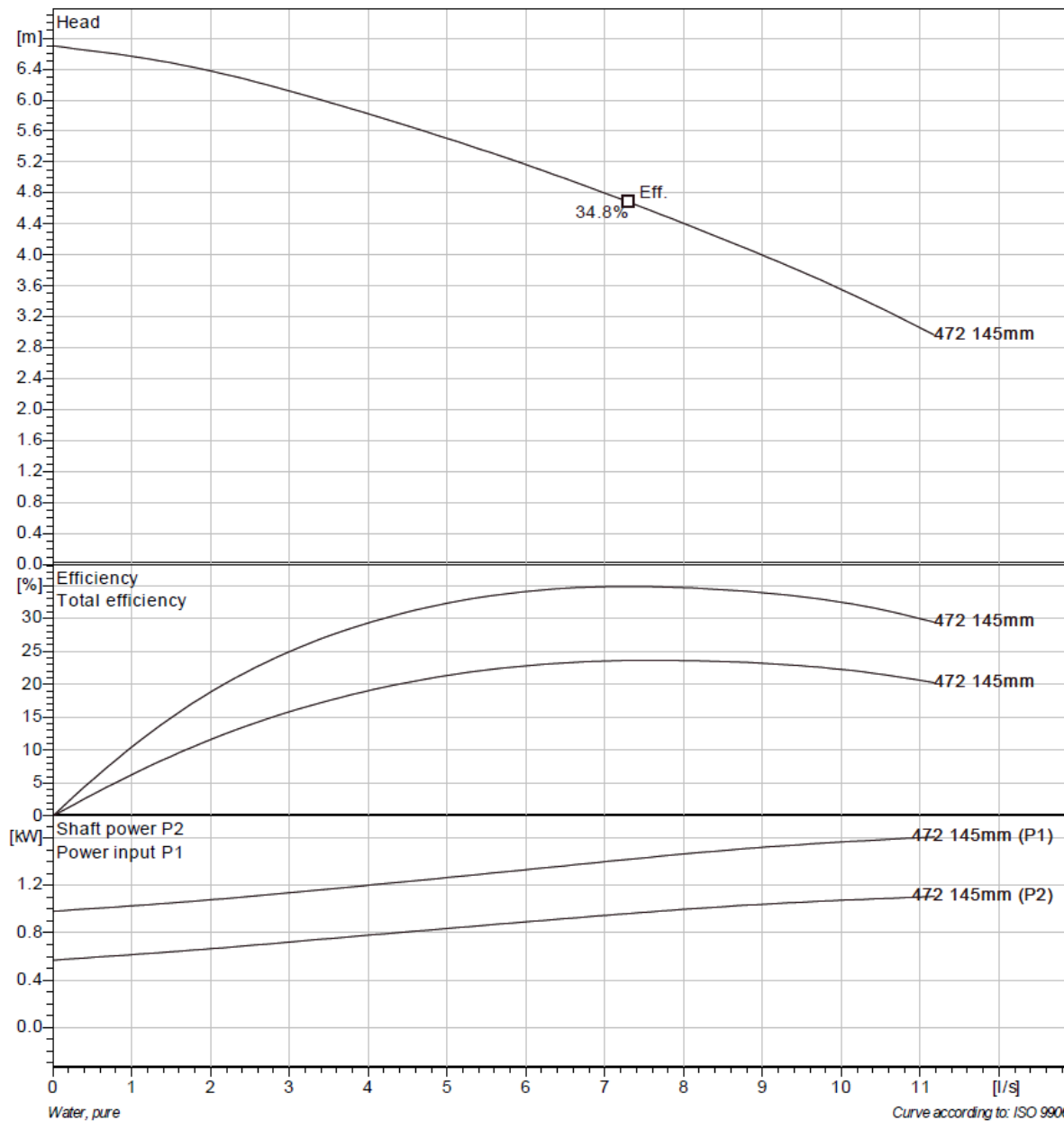
Pump

Outlet width	65 mm
Inlet diameter	65 mm
Impeller diameter	145 mm
Number of blades	6
Throughlet diameter	65 mm

Motor

Motor #	D3068.180 13-10-4BB-W 1.3KW
Stator variant	1
Frequency	50 Hz
Rated voltage	220 V
Number of poles	4
Phases	1~
Rated power	1.3 kW
Rated current	8.7 A
Starting current	26 A
Rated speed	1390 1/min

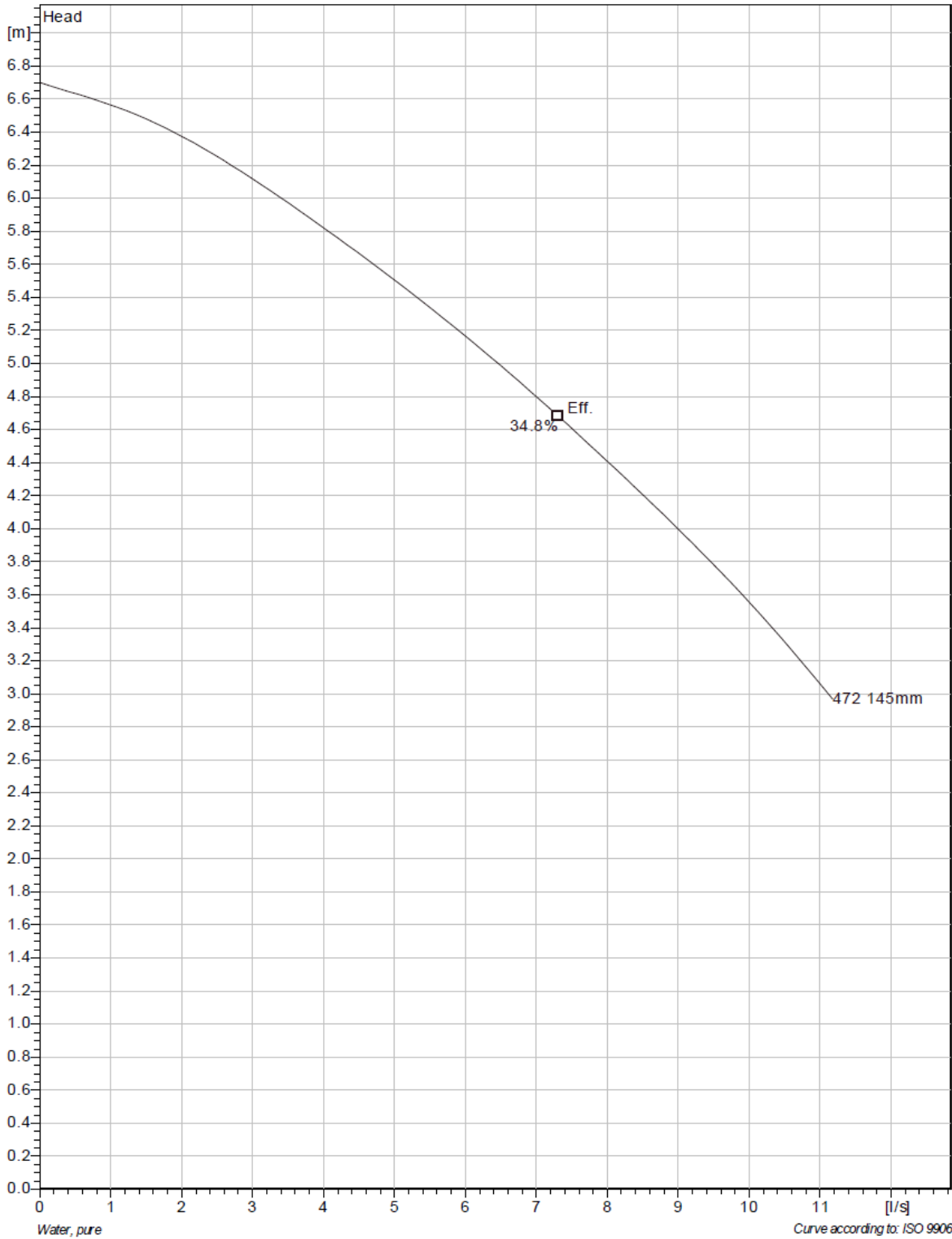
Power factor	
1/1 Load	1.00
3/4 Load	1.00
1/2 Load	1.00
Efficiency	
1/1 Load	68.0 %
3/4 Load	68.0 %
1/2 Load	61.0 %



Project	Project ID	Created by	Created on 2014-04-11	Last update
---------	------------	------------	--------------------------	-------------



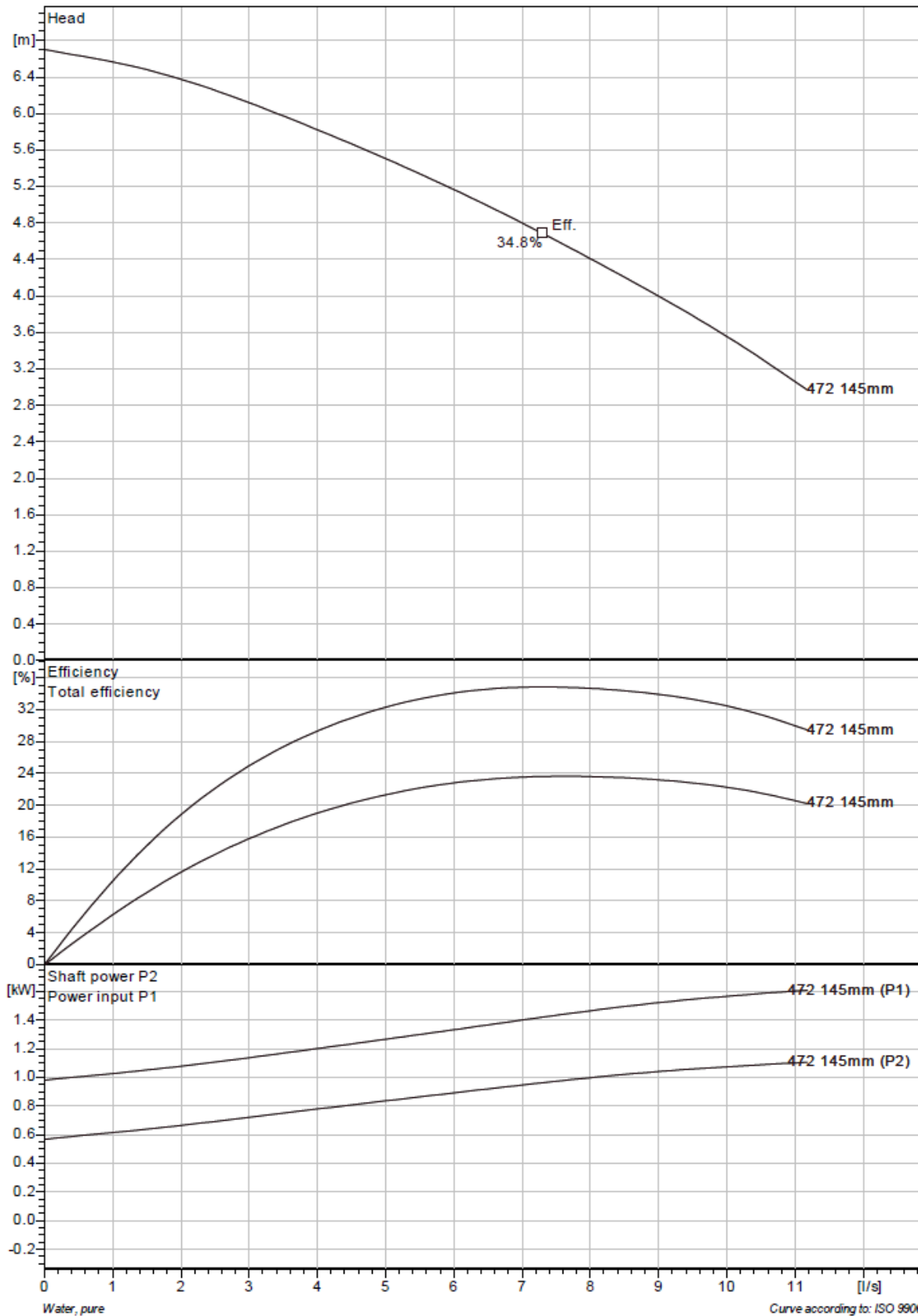
DP 3068 MT 1~ 472 Duty Analysis



Project	Project ID	Created by	Created on	Last update
			2014-04-11	



DP 3068 MT 1~ 472 VFD Curve

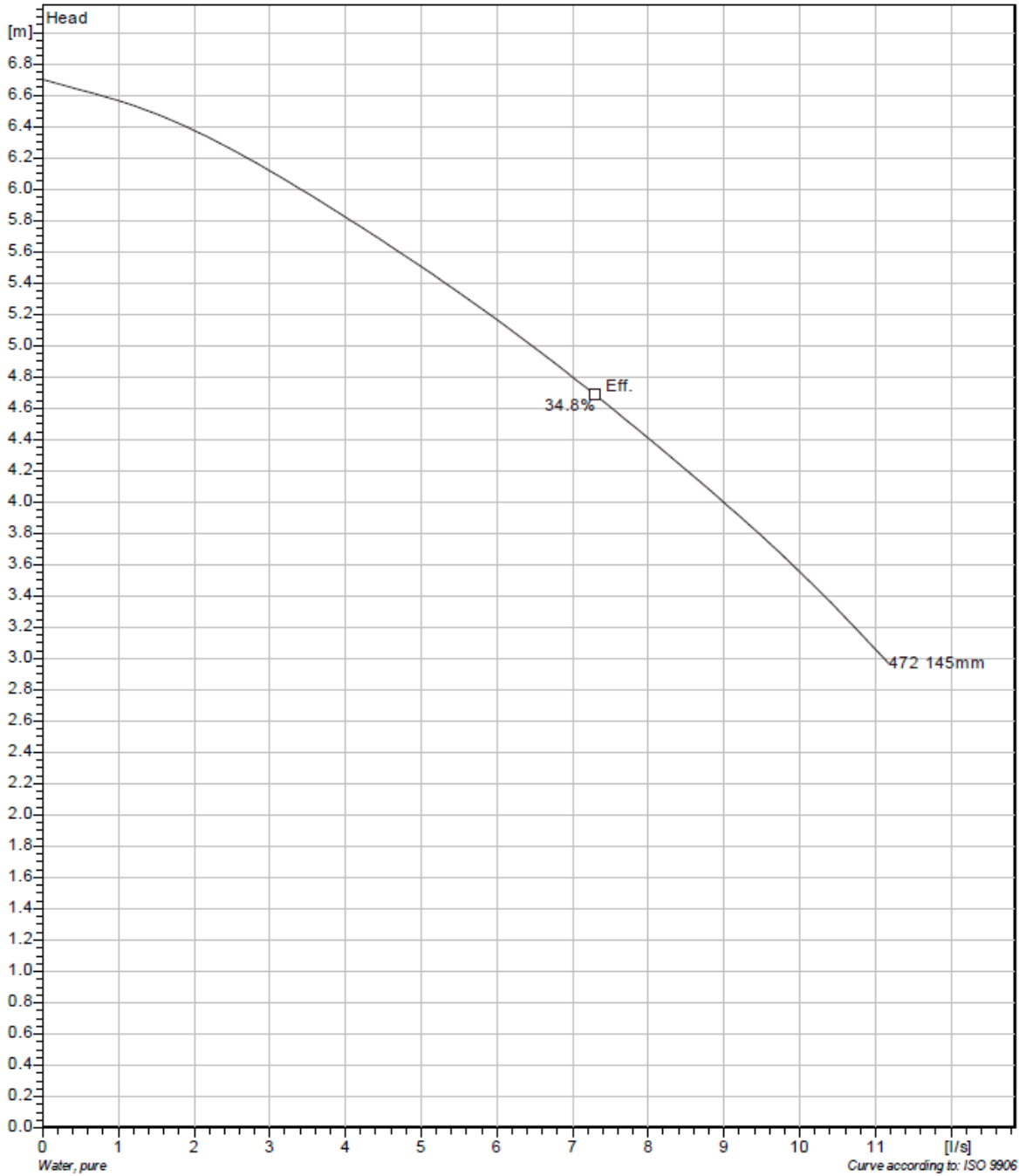


Project	Project ID	Created by	Created on	Last update
			2014-04-11	



DP 3068 MT 1~ 472

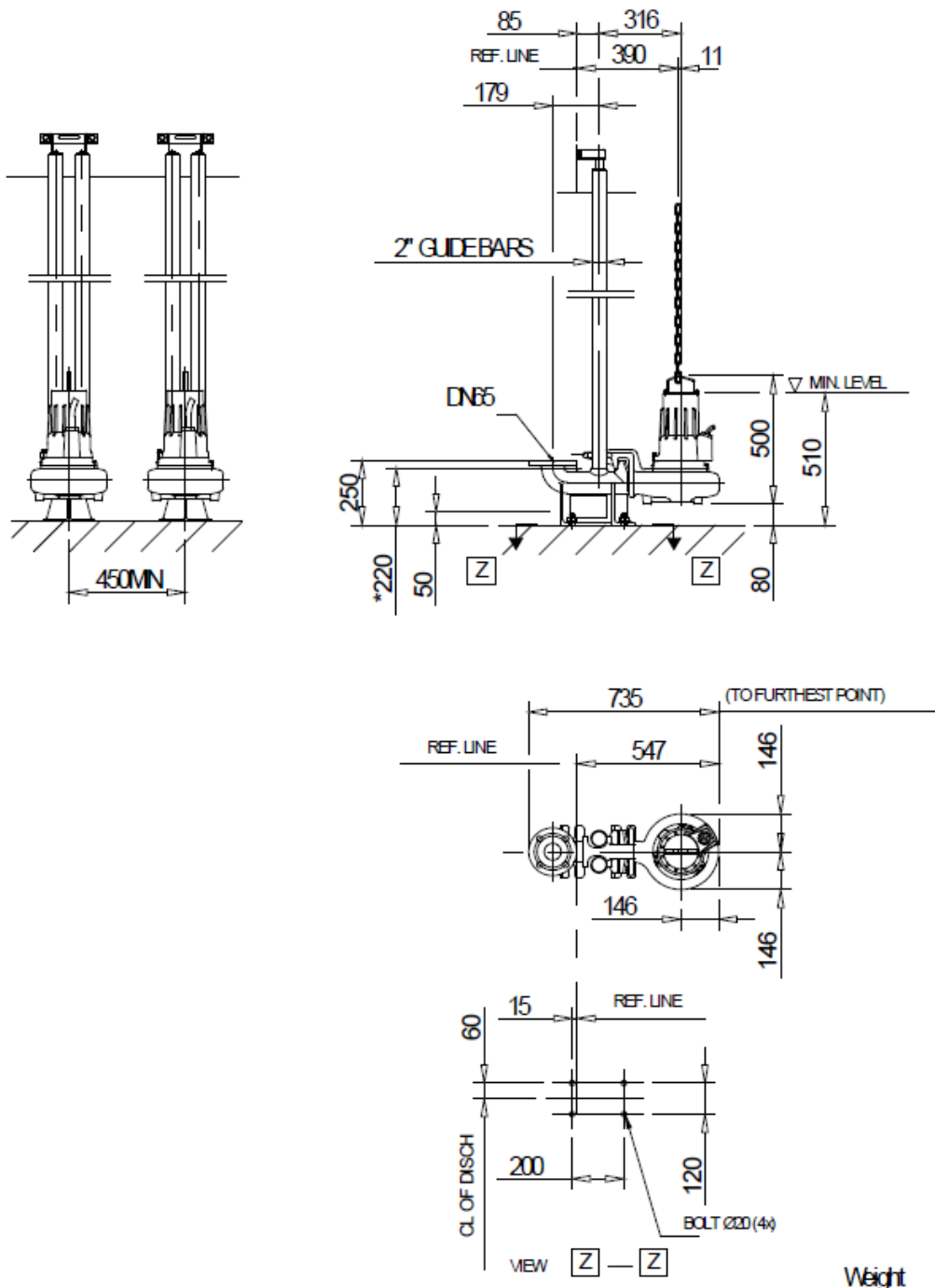
VFD Analysis



Project	Project ID	Created by	Created on	Last update
			2014-04-11	



DP 3068 MT 1~ 472 Dimensional drawing



* DIMENSION TO ENDS OF GUIDE BARS

Dimensional dwg
DP 3068 MT

Weight

Project	Project ID	Created by	Created on	Last update
			2014-04-11	