





## CP 3057 HT 1~ 264

### Performance curve

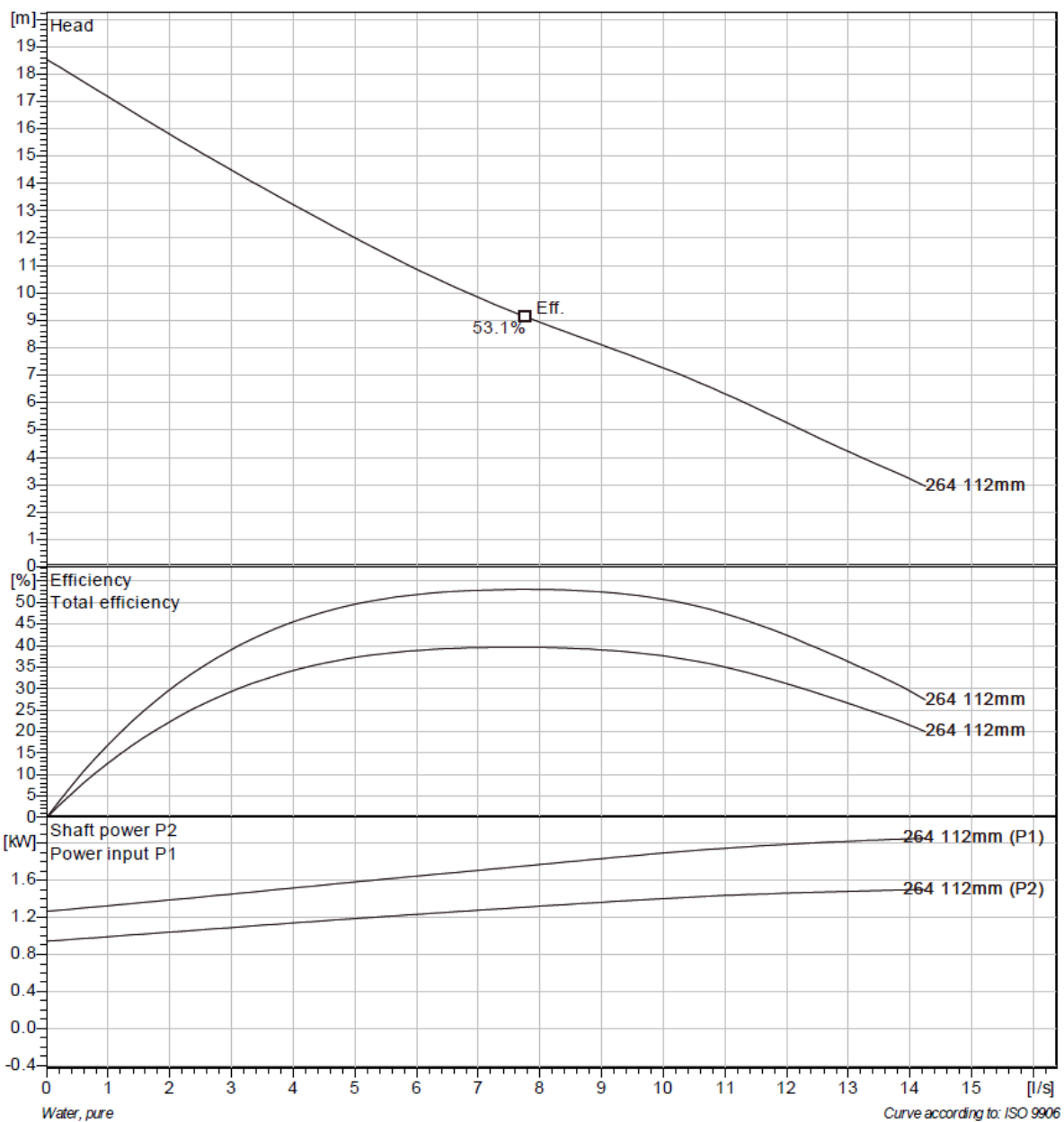
#### Pump

Outlet width	50 mm
Inlet diameter	50 mm
Impeller diameter	112 mm
Number of blades	1
Throughlet diameter	48 mm

#### Motor

Motor #	C3057.181 13-10-2BZ-W 1.5KW
Stator variant	1
Frequency	50 Hz
Rated voltage	220 V
Number of poles	2
Phases	1~
Rated power	1.5 kW
Rated current	9.4 A
Starting current	27 A
Rated speed	2695 1/min

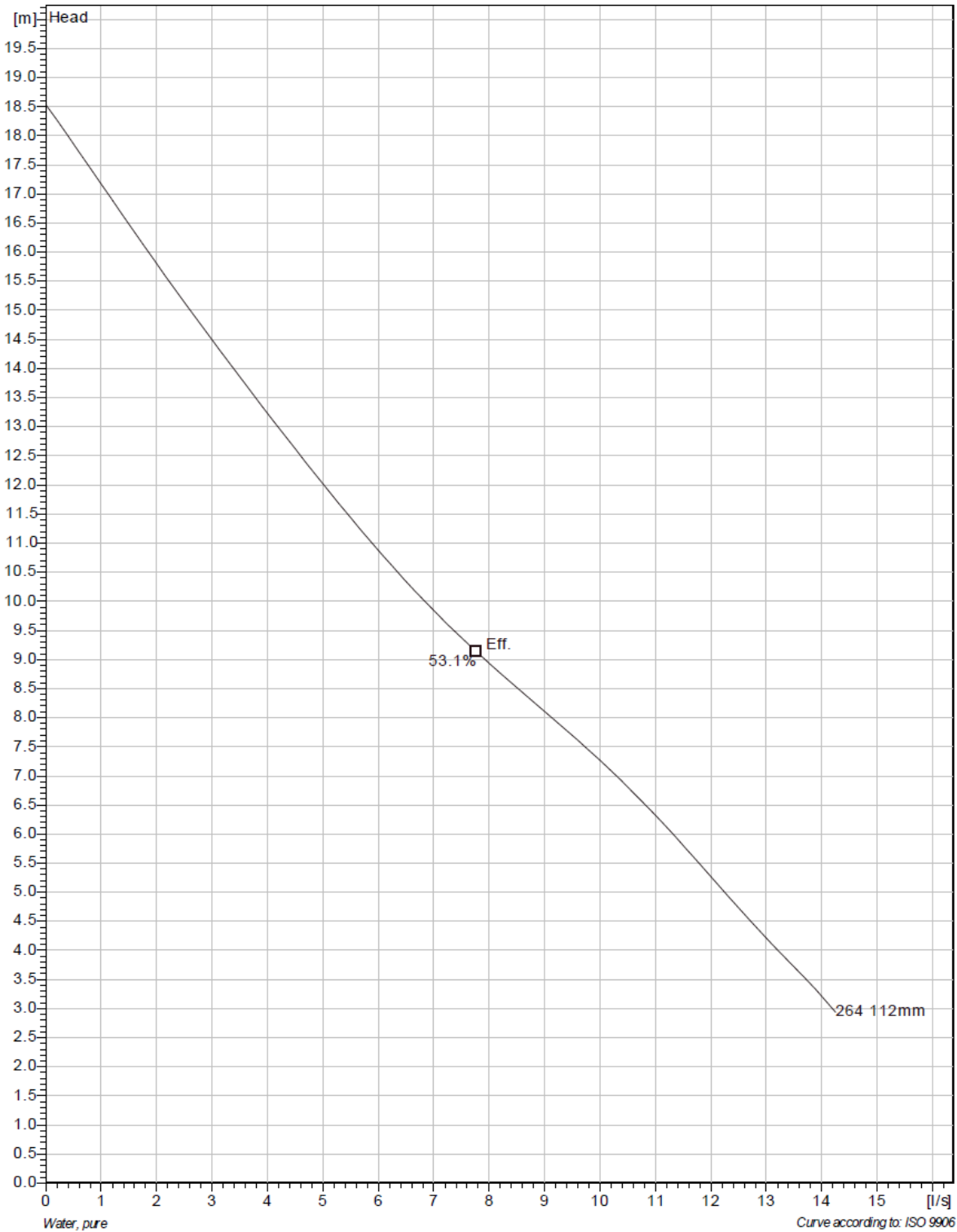
Power factor	
1/1 Load	0.99
3/4 Load	0.99
1/2 Load	0.99
Efficiency	
1/1 Load	72.5 %
3/4 Load	75.0 %
1/2 Load	71.5 %



Project	Project ID	Created by	Created on 2014-04-25	Last update
---------	------------	------------	--------------------------	-------------



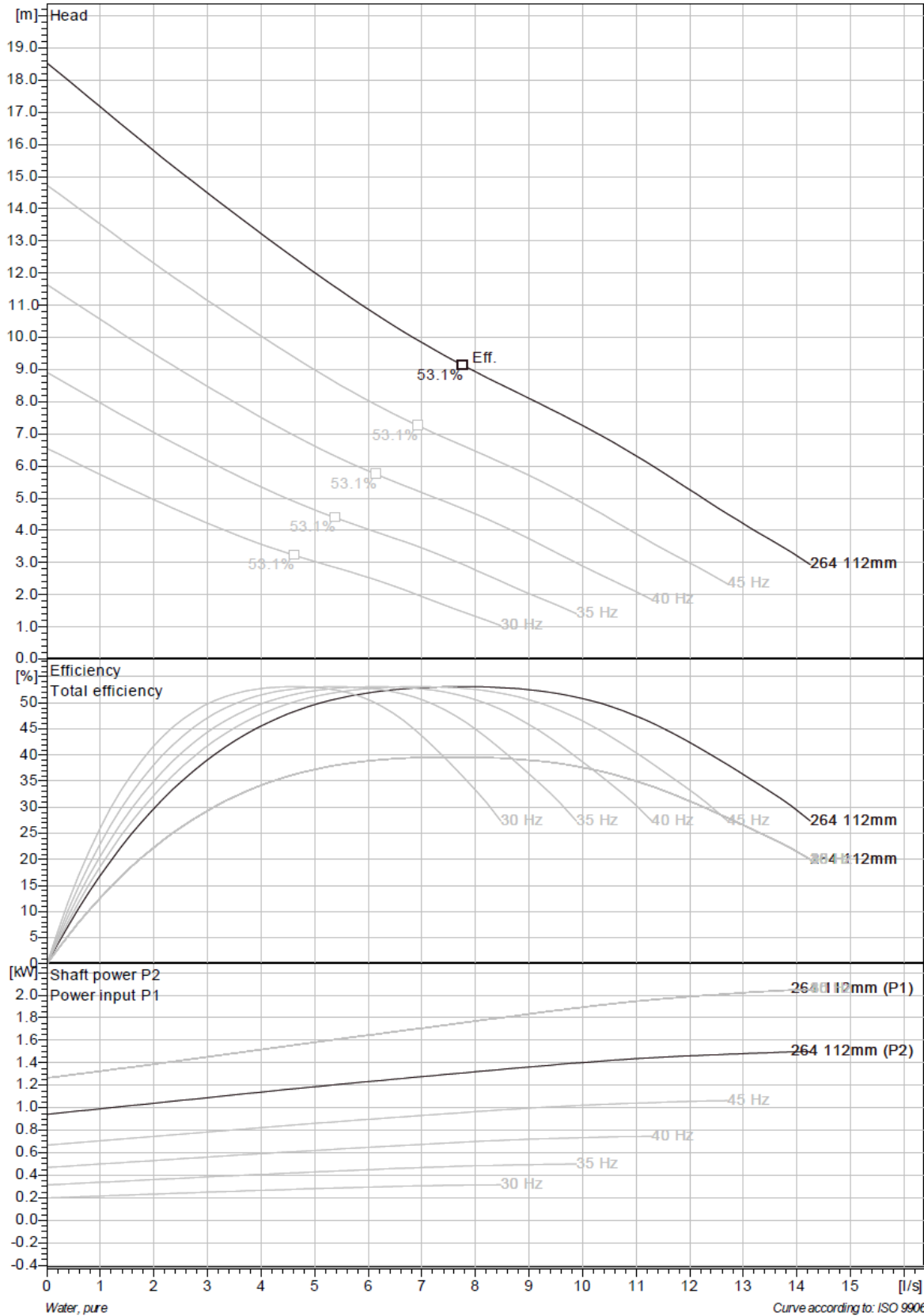
## CP 3057 HT 1~ 264 Duty Analysis



Project	Project ID	Created by	Created on	Last update
			2014-04-25	



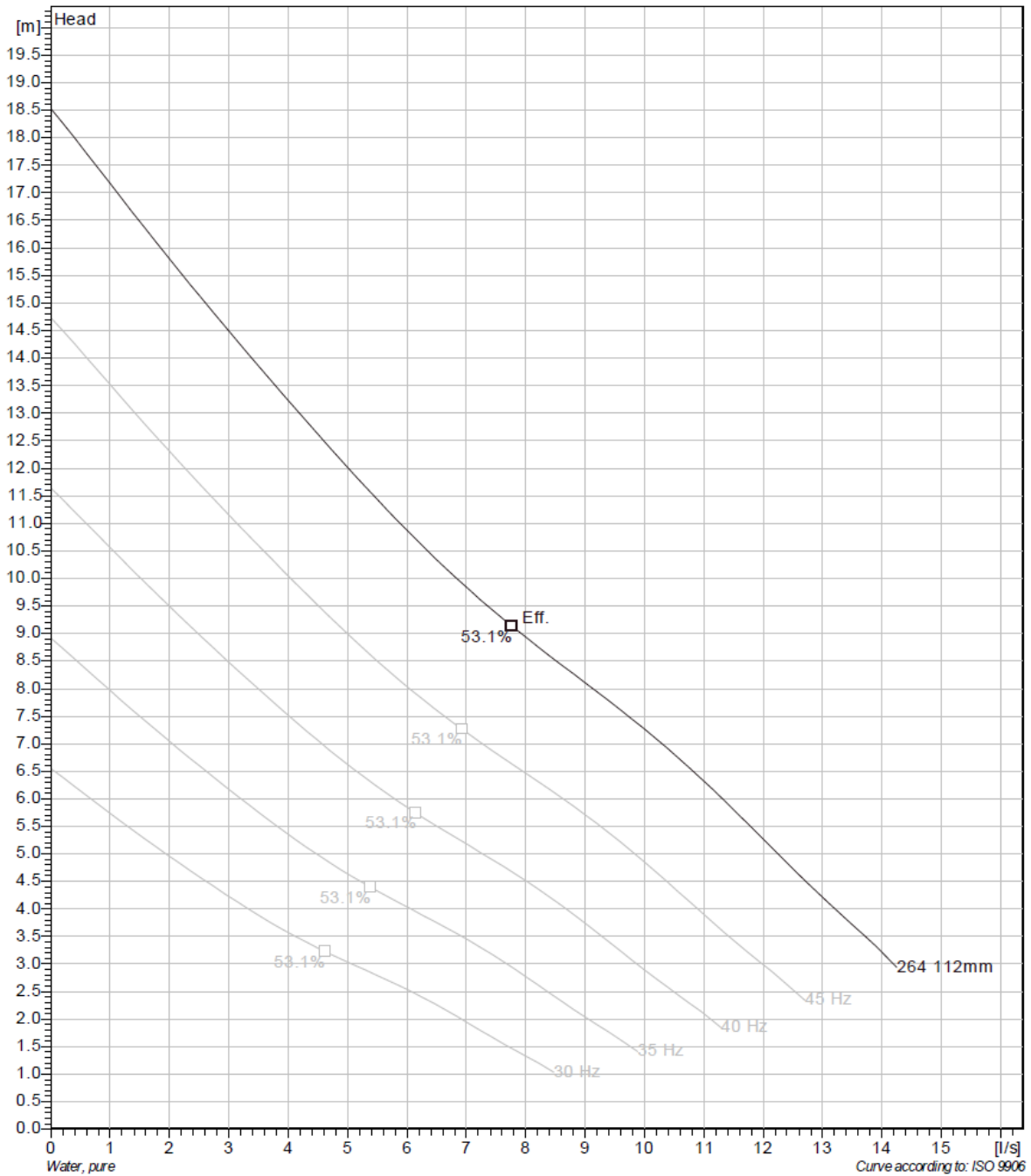
## CP 3057 HT 1~ 264 VFD Curve



Project	Project ID	Created by	Created on	Last update
			2014-04-25	



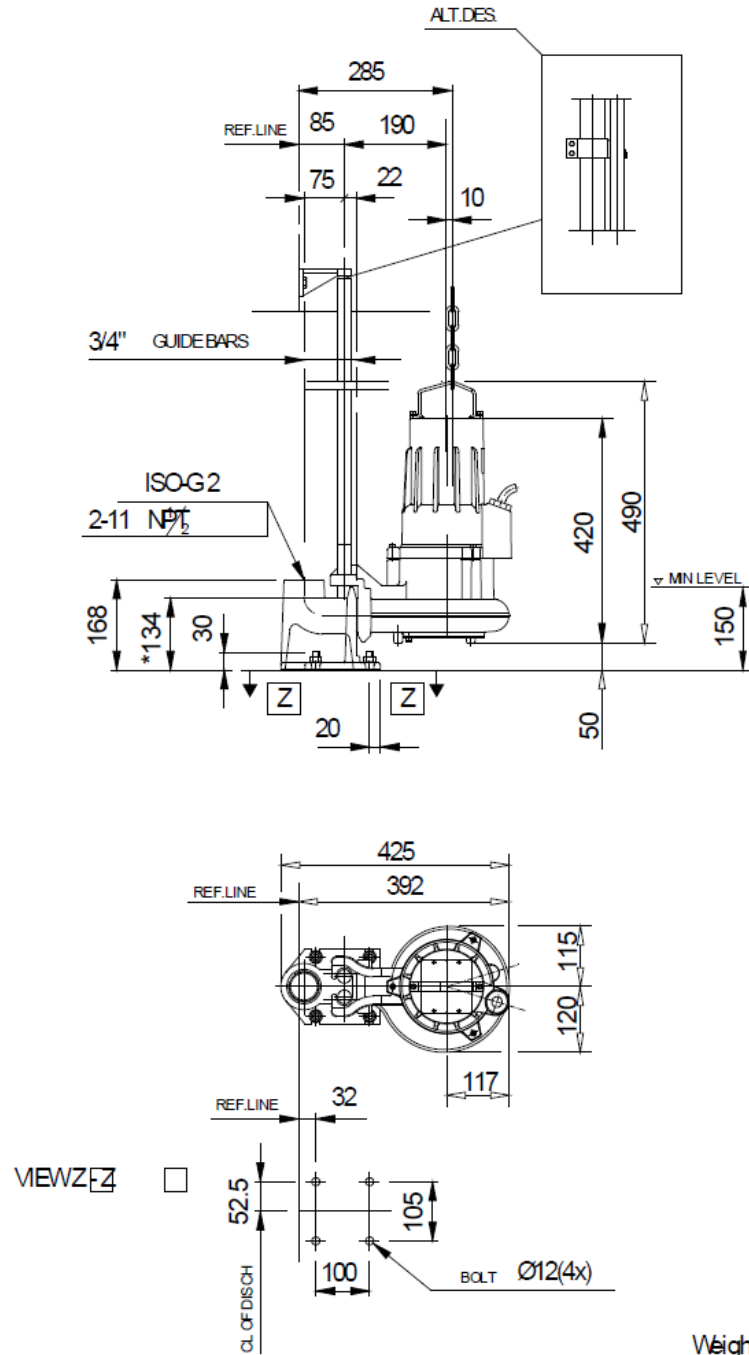
## CP 3057 HT 1~ 264 VFD Analysis



Project	Project ID	Created by	Created on	Last update
			2014-04-25	



## CP 3057 HT 1~ 264 Dimensional drawing



\* DIMENSION TO ENDS OF GUIDE BARS

Dimensional dwg  
CP 3057 HT

Project	Project ID	Created by	Created on	Last update
			2014-04-25	